

# THERMOWELLS

PIC Gauges offers a complete line of thermowells, manufacturing all sizes, connections and materials, in addition to stocking the most commonly used types.



**STANDARD WELLS**



**LAGGING WELLS**



**ANSI FLANGED**



**RTJ FLANGED**



**WELD-IN**



**SOCKET WELD**



**VAN STONE**



**TEST PORT**

## OPTIONS\*

MATERIALS	PROCESS CONNECTIONS	SPECIAL APPLICATIONS
Brass	Threaded	High Pressure
Carbon Steel	Flanged	High Velocity
304 Stainless Steel	Welded	Sanitary
316 Stainless Steel	Clamped	Test Port
Monel®	Sanitary	
Hastelloy® C276	Van Stone	
Titanium		
Tantalum		
Ceramic		

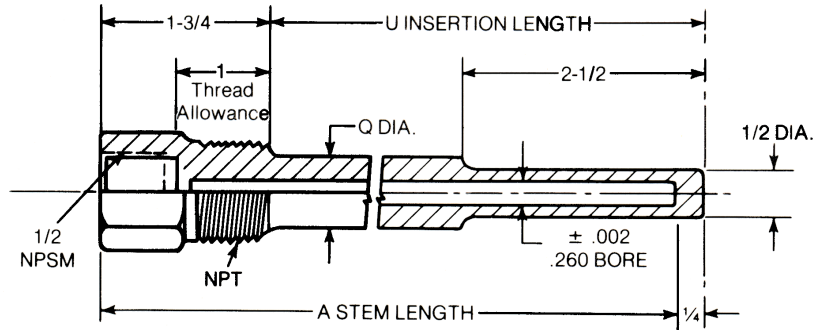
\*Others available upon request.

# THERMOWELLS



## Standard part numbers for bimetal thermowells

Cap and chain available upon request.



1/2" NPT INSTRUMENT X 1/2" NPT PROCESS					
A	U	BRASS*	CARBON STEEL	304 STAINLESS	316 STAINLESS
2 1/2"	1 5/8"	TW-BR02-22S2	TW-CS02-22S2	TW-ST02-22S2	TW-SS02-22S2
4"	2 1/2"	TW-BR04-22S2	TW-CS04-22S2	TW-ST04-22S2	TW-SS04-22S2
6"	4 1/2"	TW-BR06-22S2	TW-CS06-22S2	TW-ST06-22S2	TW-SS06-22S2
9"	7 1/2"	TW-BR09-22S2	TW-CS09-22S2	TW-ST09-22S2	TW-SS09-22S2
12"	10 1/2"	TW-BR12-22S2	TW-CS12-22S2	TW-ST12-22S2	TW-SS12-22S2

1/2" NPT INSTRUMENT X 3/4" NPT PROCESS					
A	U	BRASS*	CARBON STEEL	304 STAINLESS	316 STAINLESS
2 1/2"	1 5/8"	TW-BR02-23S2	TW-CS02-23S2	TW-ST02-23S2	TW-SS02-23S2
4"	2 1/2"	TW-BR04-23S2	TW-CS04-23S2	TW-ST04-23S2	TW-SS04-23S2
6"	4 1/2"	TW-BR06-23S2	TW-CS06-23S2	TW-ST06-23S2	TW-SS06-23S2
9"	7 1/2"	TW-BR09-23S2	TW-CS09-23S2	TW-ST09-23S2	TW-SS09-23S2
12"	10 1/2"	TW-BR12-23S2	TW-CS12-23S2	TW-ST12-23S2	TW-SS12-23S2
15"	13 1/2"	TW-BR15-23S2	TW-CS15-23S2	TW-ST15-23S2	TW-SS15-23S2
18"	16 1/2"	TW-BR18-23S2	TW-CS18-23S2	TW-ST18-23S2	TW-SS18-23S2
24"	22 1/2"	TW-BR24-23S2	TW-CS24-23S2	TW-ST24-23S2	TW-SS24-23S2

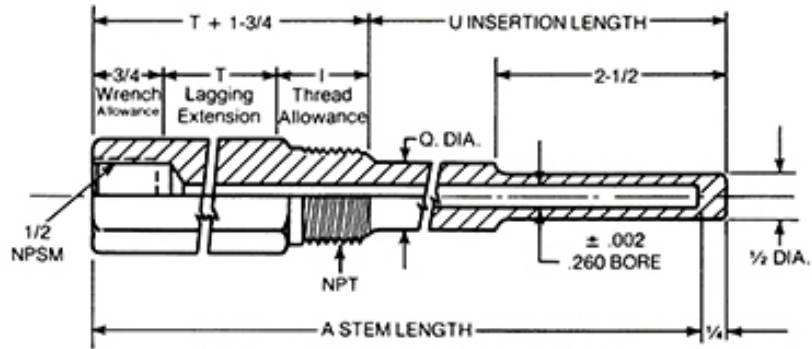
1/2" NPT INSTRUMENT X 1" NPT PROCESS					
A	U	BRASS*	CARBON STEEL	304 STAINLESS	316 STAINLESS
2 1/2"	1 5/8"	TW-BR02-24S2	TW-CS02-24S2	TW-ST02-24S2	TW-SS02-24S2
4"	2 1/2"	TW-BR04-24S2	TW-CS04-24S2	TW-ST04-24S2	TW-SS04-24S2
6"	4 1/2"	TW-BR06-24S2	TW-CS06-24S2	TW-ST06-24S2	TW-SS06-24S2
9"	7 1/2"	TW-BR09-24S2	TW-CS09-24S2	TW-ST09-24S2	TW-SS09-24S2
12"	10 1/2"	TW-BR12-24S2	TW-CS12-24S2	TW-ST12-24S2	TW-SS12-24S2
15"	13 1/2"	TW-BR15-24S2	TW-CS15-24S2	TW-ST15-24S2	TW-SS15-24S2
18"	16 1/2"	TW-BR18-24S2	TW-CS18-24S2	TW-ST18-24S2	TW-SS18-24S2
24"	22 1/2"	TW-BR24-24S2	TW-CS24-24S2	TW-ST24-24S2	TW-SS24-24S2

**\*NOTE:** Brass wells are not recommended for installations involving temperatures over 400° F.

NOTE: Not all part numbers or options are available from stock. Consult PIC Gauges for availability. Because of continuing improvements, specifications are subject to change without notice.

## Part numbers for bimetal thermowells with lagging extensions

Cap and chain available upon request.



<b>1/2" NPT INSTRUMENT X 1/2" NPT PROCESS</b>						
A	U	T	BRASS*	CARBON STEEL	304 STAINLESS	316 STAINLESS
4"	1 5/8"	1"	TW-BR04-22L2	TW-CS04-22L2	TW-ST04-22L2	TW-SS04-22L2
6"	2 1/2"	2"	TW-BR06-22L2	TW-CS06-22L2	TW-ST06-22L2	TW-SS06-22L2
9"	4 1/2"	3"	TW-BR09-22L2	TW-CS09-22L2	TW-ST09-22L2	TW-SS09-22L2
12"	7 1/2"	3"	TW-BR12-22L2	TW-CS12-22L2	TW-ST12-22L2	TW-SS12-22L2

<b>1/2" NPT INSTRUMENT X 3/4" NPT PROCESS</b>						
A	U	T	BRASS*	CARBON STEEL	304 STAINLESS	316 STAINLESS
4"	1 5/8"	1"	TW-BR04-23L2	TW-CS04-23L2	TW-ST04-23L2	TW-SS04-23L2
6"	2 1/2"	2"	TW-BR06-23L2	TW-CS06-23L2	TW-ST06-23L2	TW-SS06-23L2
9"	4 1/2"	3"	TW-BR09-23L2	TW-CS09-23L2	TW-ST09-23L2	TW-SS09-23L2
12"	7 1/2"	3"	TW-BR12-23L2	TW-CS12-23L2	TW-ST12-23L2	TW-SS12-23L2
15"	10 1/2"	3"	TW-BR15-23L2	TW-CS15-23L2	TW-ST15-23L2	TW-SS15-23L2
18"	13 1/2"	3"	TW-BR18-23L2	TW-CS18-23L2	TW-ST18-23L2	TW-SS18-23L2
24"	19 1/2"	3"	TW-BR24-23L2	TW-CS24-23L2	TW-ST24-23L2	TW-SS24-23L2

<b>1/2" NPT INSTRUMENT X 1" NPT PROCESS</b>						
A	U	T	BRASS*	CARBON STEEL	304 STAINLESS	316 STAINLESS
4"	1 5/8"	1"	TW-BR04-24L2	TW-CS04-24L2	TW-ST04-24L2	TW-SS04-24L2
6"	2 1/2"	2"	TW-BR06-24L2	TW-CS06-24L2	TW-ST06-24L2	TW-SS06-24L2
9"	4 1/2"	3"	TW-BR09-24L2	TW-CS09-24L2	TW-ST09-24L2	TW-SS09-24L2
12"	7 1/2"	3"	TW-BR12-24L2	TW-CS12-24L2	TW-ST12-24L2	TW-SS12-24L2
15"	10 1/2"	3"	TW-BR15-24L2	TW-CS15-24L2	TW-ST15-24L2	TW-SS15-24L2
18"	13 1/2"	3"	TW-BR18-24L2	TW-CS18-24L2	TW-ST18-24L2	TW-SS18-24L2
24"	19 1/2"	3"	TW-BR24-24L2	TW-CS24-24L2	TW-ST24-24L2	TW-SS24-24L2

9

\*NOTE: Brass wells are not recommended for installations involving temperatures over 400° F.

NOTE: Not all part numbers or options are available from stock. Consult PIC Gauges for availability.