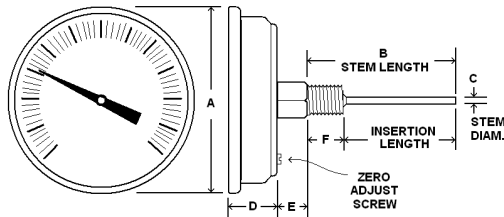
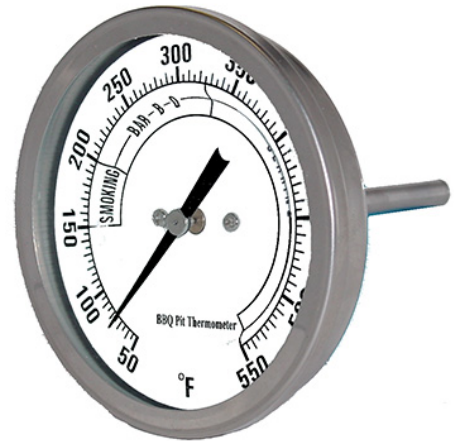


Miscellaneous bimetals designed for specific applications

SPECIFICATIONS - BARBEQUE GRILL THERMOMETER (BBQ-1)

Dial Size	3" (76 mm)
	Anti-parallax dial
Case	All stainless steel construction
Stem Length	2 ½", 316 stainless welded at connection
Connection	½" NPT
Lens	Heavy duty glass
Pointer	Black aluminum
Scale	Standard: single scale F
Temperature Range	50/550° F
Accuracy	1% full scale
External Adjustment	Zero reset screw on case back

Design meets or exceeds ASME B40.3 thermometer standard.



Part Number	Dial	Unit	A	B	C	D	E	F
BBQ-1	3"	In.	3.28"	2.5"	0.25"	0.82"	0.43"	½"
		mm	83	63	7	21	11	NPT

AVAILABLE OPTIONS*

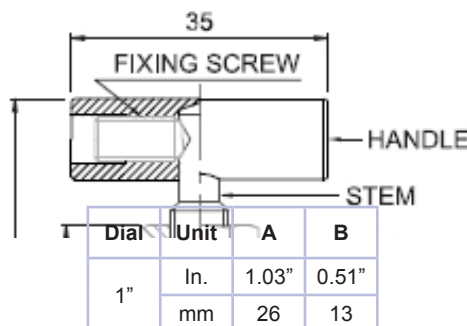
- Other stem lengths available upon request

*Lead times/minimums may apply

SPECIFICATIONS - 1" DIAL SIZE POCKET THERMOMETER (B1B5)

Dial Size	1" (25.4 mm)
Case	All stainless steel with plastic sleeve clip case
Stem Length	5"
Stem Construction	1/8" diameter pointed plain stem (non-threaded)
Lens	Magnifying plastic
Pointer	Red aluminum
Scale	Standard: dual scale F & C
Temperature Range	-40/160° to 50/550° F & C
Accuracy	+/- 1.5% full scale

Design meets or exceeds ASME B40.3 thermometer standard.



AVAILABLE OPTIONS*

- Other stem lengths available upon request
- 2" dial size available upon request
- Digital version available

*Lead times/minimums may apply