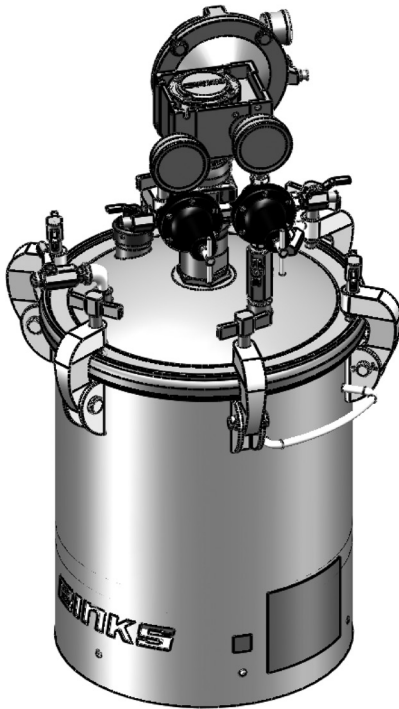




183G (GALVANIZED) 5, 10, AND 15 GALLON ASME TANKS



Important: Read and follow all instructions and SAFETY PRECAUTIONS before using this equipment. Retain for future reference.

ACTUAL CAPACITIES

- 5-Gallon holds 9.8 gallons or a 5-gallon pail
- 10-Gallon holds 11.8 gallons
- 15-Gallon holds 19.8 gallons

GALVANIZED 5-GALLON MODELS		
Tank Model	Regulation	Agitation
183G-500	None	None
183G-510	Single (Regulated air to tank only)	None
183G-513	Single (Regulated air to tank only)	Gear-reduced (Heavy-duty)
183G-520	Double (Regulated air to tank and gun)	None
183G-523	Double (Regulated air to tank and gun)	Gear-reduced (Heavy-duty)
183G-530	Extra Sensitive	None
183G-533	Extra Sensitive	Gear-reduced (Heavy-duty)
183G-540	Extra Sensitive w/ gun regulation	None
183G-543	Extra Sensitive w/ gun regulation	Gear-reduced (Heavy-duty)

DESCRIPTION

Binks pressure feed tanks are intended for use as a pressure container to supply material at a constant preset pressure up to a maximum of 110 psi. The tanks are built to ASME specifications. Also certified for vacuum operation.

GALVANIZED 10-GALLON MODELS		
Tank Model	Regulation	Agitation
183G-1000	None	None
183G-1010	Single (Regulated air to tank only)	None
183G-1013	Single (Regulated air to tank only)	Gear-reduced (Heavy-duty)
183G-1020	Double (Regulated air to tank and gun)	None
183G-1023	Double (Regulated air to tank and gun)	Gear-reduced (Heavy-duty)
183G-1030	Extra Sensitive (Single)	None
183G-1033	Extra Sensitive (Single)	Gear-reduced (Heavy-duty)
183G-1040	Extra Sensitive w/ gun regulation	None
183G-1043	Extra Sensitive w/ gun regulation	Gear-reduced (Heavy-duty)

GALVANIZED 15-GALLON MODELS		
Tank Model	Regulation	Agitation
183G-1500	None	None
183G-1510	Single (Regulated air to tank only)	None
183G-1513	Single (Regulated air to tank only)	Gear-reduced (Heavy-duty)
183G-1520	Double (Regulated air to tank and gun)	None
183G-1523	Double (Regulated air to tank and gun)	Gear-reduced (Heavy-duty)
183G-1530	Extra Sensitive (Single)	None
183G-1533	Extra Sensitive (Single)	Gear-reduced (Heavy-duty)
183G-1540	Extra Sensitive w/ gun regulation	None
183G-1543	Extra Sensitive w/ gun regulation	Gear-reduced (Heavy-duty)

In this part sheet, the words **WARNING**, **CAUTION** and **NOTE** are used to emphasize important safety information as follows:

WARNING

Hazards or unsafe practices which could result in severe personal injury, death or substantial property damage.

CAUTION

Hazards or unsafe practices which could result in minor personal injury, product or property damage.

NOTE

Important installation, operation or maintenance information.

WARNING

Read the following warnings before using this equipment.



READ THE MANUAL

Before operating finishing equipment, read and understand all safety, operation and maintenance information provided in the operation manual.



OPERATOR TRAINING

All personnel must be trained before operating finishing equipment.



EQUIPMENT MISUSE HAZARD

Equipment misuse can cause the equipment to rupture, malfunction, or start unexpectedly and result in serious injury.



LOCK OUT / TAG-OUT

Failure to de-energize, disconnect, lock out and tag-out all power sources before performing equipment maintenance could cause serious injury or death.



AUTOMATIC EQUIPMENT

Automatic equipment may start suddenly without warning.



PRESSURE RELIEF PROCEDURE

Always follow the pressure relief procedure in the equipment instruction manual.



KEEP EQUIPMENT GUARDS IN PLACE

Do not operate the equipment if the safety devices have been removed.



KNOW WHERE AND HOW TO SHUT OFF THE EQUIPMENT IN CASE OF AN EMERGENCY



WEAR SAFETY GLASSES

Failure to wear safety glasses with side shields could result in serious eye injury or blindness.



INSPECT THE EQUIPMENT DAILY

Inspect the equipment for worn or broken parts on a daily basis. Do not operate the equipment if you are uncertain about its condition.



NEVER MODIFY THE EQUIPMENT

Do not modify the equipment unless the manufacturer provides written approval.



NOISE HAZARD

You may be injured by loud noise. Hearing protection may be required when using this equipment.



PROJECTILE HAZARD

You may be injured by venting liquids or gases that are released under pressure, or flying debris.



PINCH POINT HAZARD

Moving parts can crush and cut. Pinch points are basically any areas where there are moving parts.



STATIC CHARGE

Fluid may develop a static charge that must be dissipated through proper grounding of the equipment, objects to be sprayed and all other electrically conductive objects in the dispensing area. Improper grounding or sparks can cause a hazardous condition and result in fire, explosion or electric shock and other serious injury.



WEAR RESPIRATOR

Toxic fumes can cause serious injury or death if inhaled. Wear a respirator as recommended by the fluid and solvent manufacturer's Material Safety Data Sheet.



TOXIC FLUID & FUMES

Hazardous fluid or toxic fumes can cause serious injury or death if splashed in the eyes or on the skin, inhaled, injected or swallowed. LEARN and KNOW the specific hazards of the fluids you are using.



FIRE AND EXPLOSION HAZARD

Improper equipment grounding, poor ventilation, open flame or sparks can cause a hazardous condition and result in fire or explosion and serious injury.



MEDICAL ALERT

Any injury caused by high pressure liquid can be serious. If you are injured or even suspect an injury:

- Go to an emergency room immediately.
- Tell the doctor you suspect an injection injury.
- Show the doctor this medical information or the medical alert card provided with your airless spray equipment.
- Tell the doctor what kind of fluid you were spraying or dispensing.



GET IMMEDIATE MEDICAL ATTENTION

To prevent contact with the fluid, please note the following:

- Never point the gun/valve at anyone or any part of the body.
- Never put hand or fingers over the spray tip.
- Never attempt to stop or deflect fluid leaks with your hand, body, glove or rag.
- Always have the tip guard on the spray gun before spraying.
- Always ensure that the gun trigger safety operates before spraying.



PROP 65 WARNING






WARNING: This product contains chemicals known to the State of California to cause cancer and birth defects or other reproductive harm.

IT IS THE RESPONSIBILITY OF THE EMPLOYER TO PROVIDE THIS INFORMATION TO THE OPERATOR OF THE EQUIPMENT. FOR FURTHER SAFETY INFORMATION REGARDING THIS EQUIPMENT, SEE THE GENERAL EQUIPMENT SAFETY BOOKLET (77-5300).

Binks reserves the right to modify equipment specification without prior notice.

5/10/15-GALLON GALVANIZED TANK ASSEMBLIES – SAFEGUARDS

The following hazards may occur during the normal use of this equipment. Please read the following chart.

HAZARD	CAUSE	SAFEGUARDS
Fire 	Solvents and coatings can be highly flammable or combustible, especially when sprayed.	<ol style="list-style-type: none"> 1. Adequate exhaust must be provided to keep the air free of accumulations of flammable vapors. 2. Smoking must never be allowed in the spray area. 3. Fire extinguishing equipment must be present in the spray area.
Fire – Pressure tank 	Vapors from flammable liquids can catch fire or explode.	Keep tank at least 10 feet away from sources of ignition. Ignition sources include hot objects, mechanical sparks, and arcing (non -explosion proof) electrical equipment.
Explosion Hazard – Pressure Tank – Static Electricity 	Static electricity is created by the flow of fluid through the pressure tank and hose. If all parts are not properly grounded, sparking may occur. Sparks can ignite vapors from solvents and the fluid being sprayed.	<ol style="list-style-type: none"> 1. Ground the pressure tank by connecting one end of 12 gauge (minimum) ground wire to the pressure tank and the other end to a true earth ground. Local codes may have additional grounding requirements. 2. See illustration on page 6 for grounding and grounding hardware required.
Explosion Hazard – Pressure Tank – Rupture 	Making changes to a pressure tank will weaken it.	<ol style="list-style-type: none"> 1. Never drill into, weld, or modify the tank in any way. 2. Do not adjust, remove, or tamper with the safety valve. If replacement is necessary, use the same type and rating of valve.
Explosion Hazard – Galvanized Tanks – Material Compatibility 	Halogenated hydrocarbon solvents – for example 1-1-1 Trichloroethane and methylene chloride – can chemically react with aluminum parts and components and cause an explosion hazard. These solvents will also corrode the galvanized tank coating.	<ol style="list-style-type: none"> 1. Read the label or data sheet for the material. Do not use materials containing these solvents with galvanized pressure tanks. Stainless steel tank models may be used with halogenated solvents. 2. Refer to specifications chart to ensure that fluids are chemically compatible with the tank wetted parts. Before placing fluids or solvents in tank, always read accompanying manufacturer’s literature.
General Safety	Improper operation or maintenance may create a hazard.	Operators should be given adequate training in the safe use and maintenance of the equipment (in accordance with the requirements of NFPA-33, Chapter 15 in U.S.) Users must comply with all local and national codes governing ventilation, fire precautions, operation, maintenance, and housekeeping (in the U.S., these are OSHA sections 1910.94 and 1910.107, and NFPA-33.

<p>⚠ WARNING</p> <p>High pressure can cause serious injury.</p> <p>Pressure is maintained in a pressure tank after the system has been shut down.</p> <p>Always follow this procedure to relieve pressure from the tank.</p>	<p>PRESSURE RELIEF PROCEDURE</p> <p>To reduce the risk of injury, follow the pressure relief procedure below</p> <ul style="list-style-type: none"> • Before checking or servicing any part of the spray system • Before attempting removal of fill port cap or tank cover • Whenever the tank is left unattended <ol style="list-style-type: none"> 1. Turn off the main air supply to the tank. 2. Close the air inlet valve located on the tank air manifold. 3. Bleed off air in the tank by turning the air relief valve (5) thumb screw counterclockwise. Wait until all the air has escaped through the valve before removing the pressure tank cover or fill port cap. 4. Leave the air relief valve open until you have reinstalled the tank cover or fill port cap.
---	---

5/10/15-GALLON GALVANIZED TANK ASSEMBLIES – SPECIFICATIONS & OPTIONS

SPECIFICATIONS	
	GALVANIZED TANKS
Maximum Working Pressure	110 psi
Tank Shell	SA-414 Steel, Galvanized (Zinc)
Tank Lid	SA-414 Steel, Galvanized (Zinc)
Fluid Tube	3/8 in. Steel Pipe, Galvanized
Fluid Outlet (Elbow)	Steel, Zinc Plate
Fluid Valve, Outlet	Brass, Nickel Plate 3/8-18 NPS(M)
Agitator Paddle/Propeller	Nylon, Glass Filled
Agitator Shaft	Steel, Zinc Plate
Agitator Shaft Seal	Engineered PTFE, Stainless Steel
Air Manifold	Steel, Zinc Plate
Plug (Air Manifold Coupling)	Steel, Zinc Plate
Bottom Outlet (Optional Kit)	304 Stainless Steel 3/4-14 NPS(M)

TANK CAPACITIES	
Nominal Capacity	Actual Capacity
5 US Gallons	9.8 US Gallons
10 US Gallons	11.8 US Gallons
15 US Gallons	19.8 US Gallons

AIR CONTROL OPTIONS	
TYPE	APPLICATION
No Regulation (Air inlet pressure gauge only)	Holding tanks, Transfer tanks, Used where precision fluid pressure control is not required.
Standard Single Regulation	Provides standard fluid pressure control only. For use where precision control of both fluid and air pressures is not required. Also Used where atomization air can be taken from filter/regulator air lines.
Standard Double Regulation	Precision control for use with materials that are best applied at low, closely controlled, fluid and atomization air pressures. Used with portable air compressors or with air lines when no other means of air pressure regulation is available.
Extra Sensitive Regulation	Provides extremely accurate, low pressure, fluid pressure control
Extra Sensitive Regulation with Standard Gun Regulation	Provides extremely accurate, low pressure, fluid pressure control plus precision control of spray gun atomizing air.

AGITATION OPTIONS	
TYPE	APPLICATION
No Agitation	Materials that require minimal or no mixing and/or readily hold any solids in suspension.
Gear-reduced Drive Agitation	Heavy-duty agitator for medium to high viscosity materials that require mixing and/or solids suspension.

5/10/15-GALLON GALVANIZED TANK ASSEMBLIES – OPERATION & SERVICE CHECKS

⚠ WARNING

High pressure can cause serious injury. Pressure is maintained in a pressure tank after the system has been shut down. Follow the pressure-relief procedure on page 3 before opening the lid or fill port or performing maintenance on the tank.

PREPARATION

Mix and prepare material to be used according to manufacturer's instructions. Strain material through a fine mesh screen to remove lumps, skin, and foreign matter that might enter and clog fluid passages and/or spray equipment.

Follow pressure relief procedure above.

To add material to the tank, remove the lid and pour directly into the tank or container.

If desired, a U.S. or metric 1 gallon pail of fluid can be placed directly into the tank.

Replace the lid assembly and tighten thumb screws (17) securely.

The air supply to the tank should include a filter/water separator to filter dirt from the air and remove water and oil.

Connect the material hose to the fluid outlet ball valve (8).

OPERATION

1. Close the air inlet valve to tank. Turn handle on regulator counterclockwise until spring tension is relieved.
2. Turn on air supply to the tank.
3. Open the air inlet valve to the tank.
4. Open the fluid outlet valve.
5. Turn handle on tank pressure regulator clockwise to pressurize tank.
6. Turn on atomization air to spray gun at source of supply.
7. Test spray. For further instructions consult literature provided with spray gun.
8. If an air motor driven agitator is used, start the agitator by slowly opening up the needle valve. Air motor speed should be regulated according to the nature of the material being agitated.
4. Loosen thumb screws (17), tip clamps (16) back and tip lid (11) to one side of tank. Do not remove lid from tank.
5. Loosen spray gun air cap retaining ring about three turns.
6. Turn on air supply.
7. Cup cloth over air cap on the gun and pull trigger. This will force material back through the hose into the tank.
8. Empty and clean tank and parts that come into contact with material. Use a solvent compatible with material being used.
9. Pour solvent into tank.
10. Replace lid and tighten thumb screws and clamps.
11. Spray until clean solvent appears.
12. Repeat steps 4 through 8.

MAINTENANCE

To clean equipment, proceed as follows:

1. Turn off the air supply.
2. Follow the pressure relief procedure.
3. Turn T-handle adjusting screw on tank fluid pressure regulator counterclockwise until no spring pressure is felt.

LUBRICATION – Agitated Models

Refer to the service manual provided with the air motor for lubrication information.

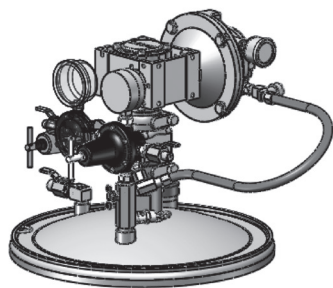
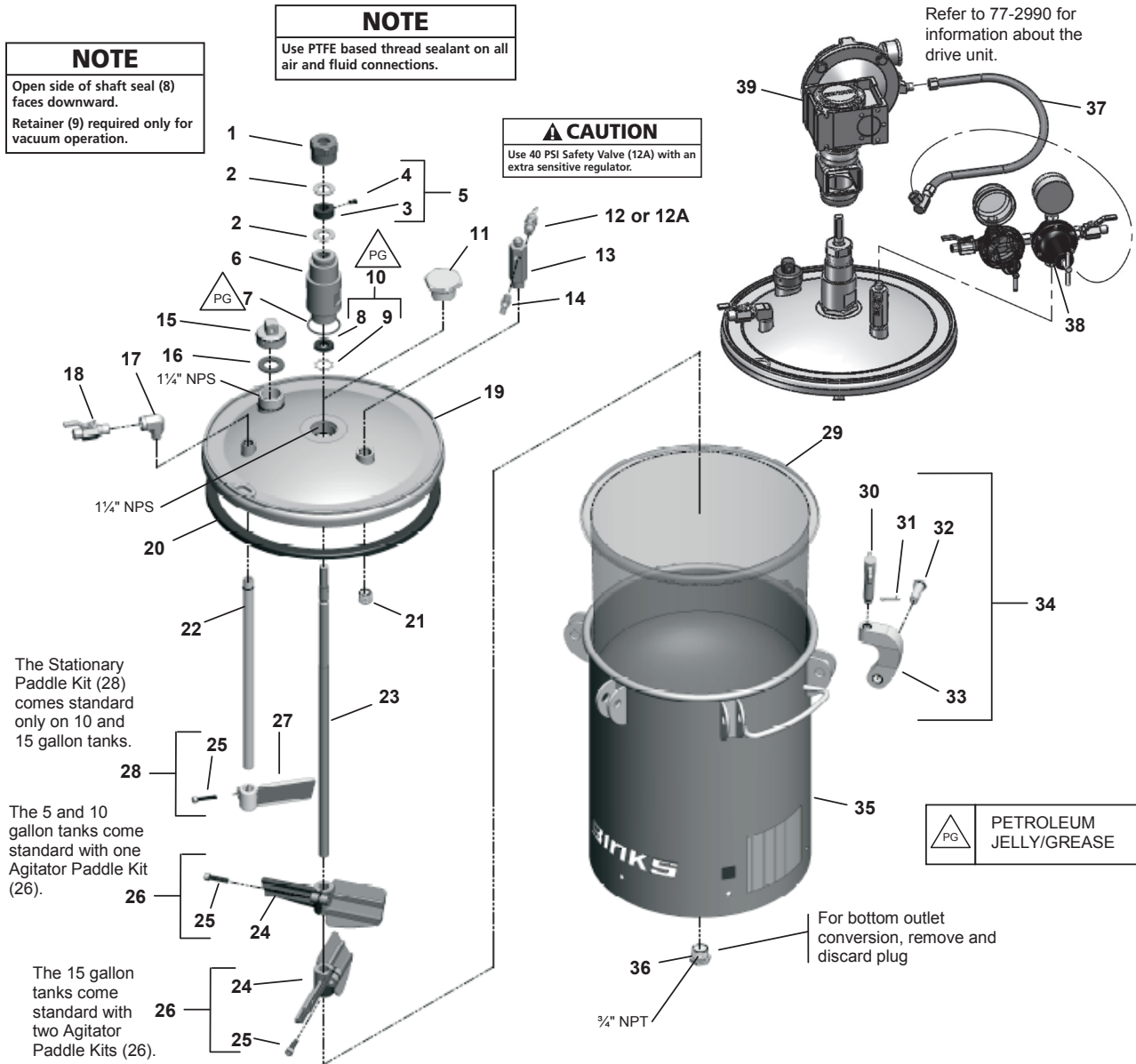
The bearings in the agitator bearing assembly are impregnated with special non-gumming oil. Additional lubrication is not required.

The agitator shaft seal does not require lubrication.

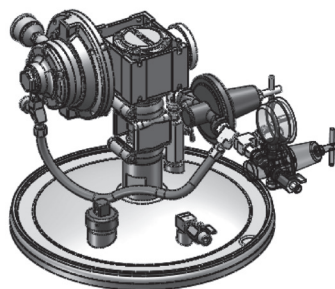
SERVICE CHECKS

CONDITION	CAUSE	CORRECTION
Air escaping from port on regulator cap.	Broken or damaged diaphragm	Replace diaphragm.
Pressure creepage registered on gauge.	Dirty or worn valve seat in regulator.	Clean or replace valve seat.
Material tends to settle out rapidly.	Not enough agitation of material.	Increase agitation.
Air leakage at agitator seal.	Defective seal assembly.	Replace.
Paint getting into bearing assembly of agitator.	1. Paint level in tank too high. 2. Defective agitator shaft seal.	1. Keep fluid level under bearing ass'y. 2. Replace
Fluid or air leak at lid gasket.	1. Thumb screw not tight. 2. Defective lid gasket.	1. Tighten. 2. Replace.
Fluid or air leak at fill port gasket.	1. Fill port cap not tight. 2. Defective fill port gasket.	1. Tighten. 2. Replace.
Air mixing with paint	1. Fluid tube not sealed to lid. 2. Excessive agitation.	1. Tighten fluid tube into lid. 2. Reduce speed of agitator.

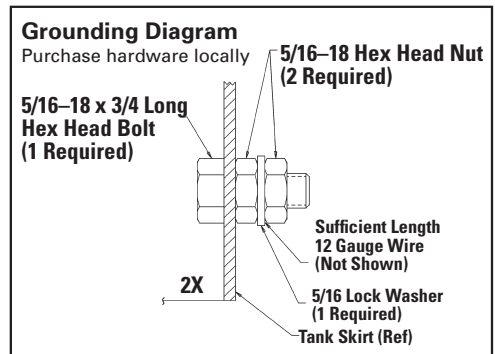
5/10/15-GALLON GALVANIZED TANK ASSEMBLIES



Agitator-Regulator Hook-Up with Standard Regulation.
1 or 2 Regulators



Agitator-Regulator Hook-Up with Extra Sensitive Regulation.
1 or 2 Regulators
Requires 40 PSI Safety Valve (12A).



5/10/15-GALLON GALVANIZED TANK ASSEMBLIES – PARTS LIST

ITEM NO.	PART NO.	DESCRIPTION	5-GAL QTY.	10-GAL QTY.	15-GAL QTY.
1	▲ QMS-46	RETAINING NUT	1	1	1
2	▲ QMG-85	THRUST WASHER	2	2	2
3	▲ ----	THRUST COLLAR	1	1	1
4	▲• ----	SET SCREW (5/16-18 X 3/8)	1	1	1
5	QMS-447	THRUST COLLAR KIT (INCL 4 & 5)	1	1	1
6	▲ QMG-409	BEARING ASSY-PLAIN STEEL	1	1	1
7	▲ SSG-8184-K2	O-RING (KIT OF 2)	1	1	1
8	▲ ----	SHAFT SEAL 5/8 I.D.	1	1	1
9	▲ ----	INTERNAL RETAINING RING	1	1	1
10	KK-5042	SHAFT SEAL KIT (INCL 8 & 9)	1	1	1
11	QMG-19	PLUG (NON-AGITATED MODELS ONLY)	1	1	1
12	TIA-5110	SAFETY VALVE ASSY, 110 PSI	1	1	1
12A	TIA-5040	SAFETY VALVE ASSY, 40 PSI (EXTRA SENSITIVE ONLY)			
13	QMG-21	AIR MANIFOLD	1	1	1
14	SS-2707	AIR RELIEF VALVE 1/4 NPT(M)	1	1	1
15	83-524	FILL PORT CAP	1	1	1
16	83-1207	FILL PORT CAP GASKET	1	1	1
17	• ----	STREET ELBOW, 3/8-18 NPT (Brass)	1	1	1
18	VA-540	BALL VALVE, 3/8 NPS OUTLET	1	1	1
19	QMG-402-1	TANK LID	1	1	1
20	QM-1458-1	TANK GASKET	1	1	1
21	• ----	PLUG, 1/2-14 NPT (PLATED STEEL)	1	1	1
22	QMG-32	FLUID TUBE	1	----	----
22	QMG-33	FLUID TUBE	----	1	----
22	QMG-34	FLUID TUBE	----	----	1
23	▲ QMG-28	AGITATOR SHAFT	1	----	----
23	▲ QMG-29	AGITATOR SHAFT	----	1	----
23	▲ QMG-30	AGITATOR SHAFT	----	----	1
24	▲ ----	AGITATOR PADDLE	1	1	2
25	▲• ----	SOC HEAD CAP SCREW, 5/16-18 X 1-1/4, S.S.	1	2	3
26	QMS-444	AGITATOR PADDLE KIT (INCL 24 & 25)	1	1	2
27	▲ ----	STATIONARY PADDLE	----	1	1
28	QMS-445	STATIONARY PADDLE KIT (INCL 25 & 27)	----	1	1
29	PTL-408-K20	DISPOSABLE TANK LINER, 5-GAL	1	----	----
29	PTL-412-K8	DISPOSABLE TANK LINER, 10-GAL	----	1	----
29	PTL-415-K10	DISPOSABLE TANK LINER, 15-GAL	----	----	1
30	QM-1352	THUMB SCREW (SEE ITEM 34)	6	6	6
31	• ----	COTTER PIN, 1/8 DIA. X 1" LG. (SEE ITEM 34)	6	6	6
32	----	CLEVIS PIN (SEE ITEM 34)	6	6	6
33	----	CLAMP (SEE ITEM 34)	6	6	6
34	+ KK-5014	CLAMP, PIN, & SCREW KIT	6	6	6
35	QMG-505-1	TANK & LUG ASSY, 5-GAL	1	----	----
35	QMG-510-1	TANK & LUG ASSY, 10-GAL	----	1	----
35	QMG-515-1	TANK & LUG ASSY, 15-GAL	----	----	1
36	----	BOTTOM PLUG	1	1	1
37	HA-57011	AIR HOSE ASS'Y (INCL W/ ITEM 39)	1	1	1
38	SEE PAGES 8 & 9	AIR CONTROL	1	1	1
39	QS-5012-1	AIR MOTOR/GEARBOX DRIVE	1	1	1

• Purchase locally.

+ KK-5014 Clamp, Pin, and Screw Kit includes 1 each of items 30, 31, 32, and 33.

▲ Items available separately or as a complete agitator assembly:

QMG-418 (for 5 gallon tanks)

QMG-419 (for 10 gallon tanks)

QMG-420 (for 15 gallon tanks)

5/10/15-GALLON GALVANIZED TANK ASSEMBLIES – AIR CONTROL

SINGLE REGULATOR AIR CONTROL

Control tank pressure only.

85-470 for non-agitated tanks

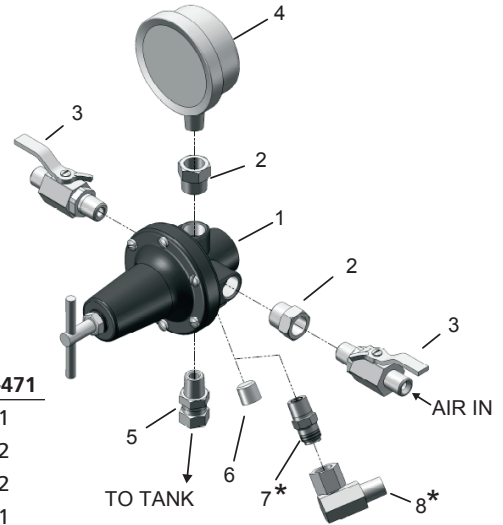
85-471 for agitated tanks

*Items with an asterisk are for use with an agitator.

ITEM NO.	PART NO.	DESCRIPTION	85-470	85-471
1	+	HAR-511 AIR REGULATOR	1	1
2	•	----- BUSHING-STL-PLTD – 3/8 (m) x 1/4 (f)	2	2
3		VA-542 BALL VALVE	2	2
4		83-1290 GAUGE – 150 PSI	1	1
5		SSP-8217-ZN SWIVEL ADAPTER	1	1
6	•	----- 1/4 NPT PLUG (SUPPLIED W/ REGULATOR)	1	—
7		H-2008 NIPPLE 1/4 NPS x 1/4 NPT	—	1
8		SSP-30-ZN SWIVEL ELBOW – 1/4 NPS(m) x 1/4 NPS (sw)	—	1

• Purchase locally

+ Refer to 77-2781 for regulator service parts



DOUBLE REGULATOR AIR CONTROL

Control tank pressure and spray gun atomization pressure.

85-472 for non-agitated tanks

85-473 for agitated tanks

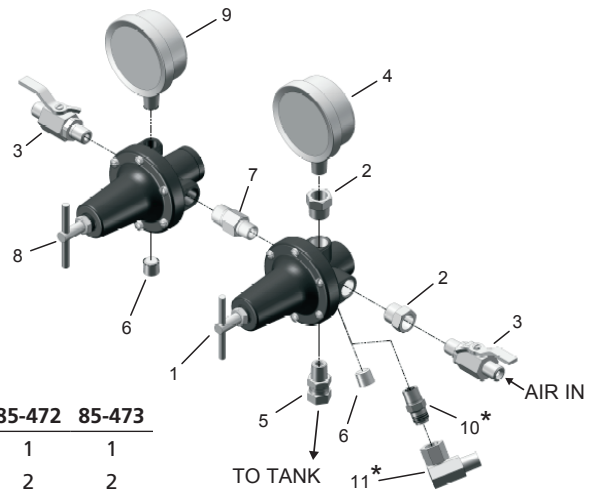
*Items with an asterisk are for use with an agitator.

ITEM NO.	PART NO.	DESCRIPTION	85-472	85-473
1	+	HAR-511 AIR REGULATOR	1	1
2	•	----- BUSHING-STL-PLTD – 3/8 (m) x 1/4 (f)	2	2
3		VA-542 BALL VALVE	2	2
4		83-1290 GAUGE - 150 PSI	1	1
5		SSP-8217-ZN SWIVEL ADAPTER	1	1
6	•	----- 1/4 NPT PLUG (SUPPLIED W/ REGULATOR)	2	1
7		83-4233 D.M. NIPPLE 1/4 x 3/8	1	1
8	#	HAR-507 AIR REGULATOR	1	1
9		83-1355 GAUGE - 100 PSI	1	1
10		H-2008 NIPPLE 1/4 NPS x 1/4 NPT	—	1
11		SSP-30-ZN SWIVEL ELBOW – 1/4 NPS(m) x 1/4 NPS (sw)	—	1

• Purchase locally

+ Refer to 77-2781 for regulator service parts

Refer to SBBI-6-147 for regulator service parts



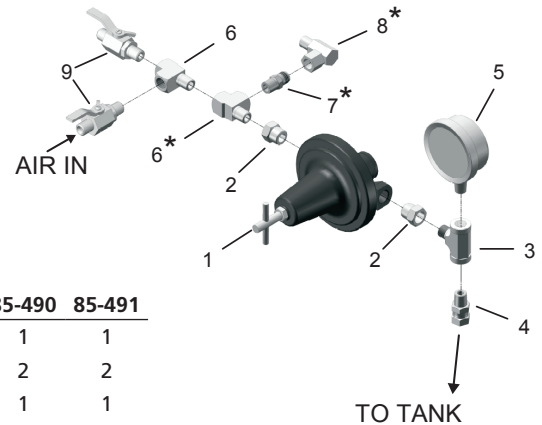
5/10/15-GALLON GALVANIZED TANK ASSEMBLIES – EXTRA SENSITIVE AIR CONTROL

EXTRA SENSITIVE REGULATOR AIR CONTROL SINGLE REGULATOR

Provides extremely high precision control of tank pressure (only) from 0 – 30 PSI. Includes 40 PSI Safety Valve (not shown.)

85-490 for non-agitated tanks
85-491 for agitated tanks

*Items with an asterisk are for use with an agitator.



ITEM NO.	PART NO.	DESCRIPTION	85-490	85-491
1	HAR-501	EXTRA-SENSITIVE REGULATOR	1	1
2	-----	BUSHING-STL-PLTD – 3/8 (m) x 1/4 (f)	2	2
3	SSP-2629-ZN	MALE BRANCH TEE – 1/4NPT	1	1
4	SSP-8217-ZN	SWIVEL ADAPTER	1	1
5	83-1414	GAUGE - 30 PSI	1	1
6	-----	1/4 NPT STREET TEE	1	2
7	H-2008	NIPPLE – 1/4 NPS x 1/4 NPT	—	1
8	SSP-ZN-30	SWIVEL ELBOW – 1/4 NPS(m) x 1/4 NPS (sw)	—	1
9	VA-542	BALL VALVE	2	2
10	TIA-5040	SAFETY VALVE, 40 PSI (NOT SHOWN)	1	1

• Purchase locally

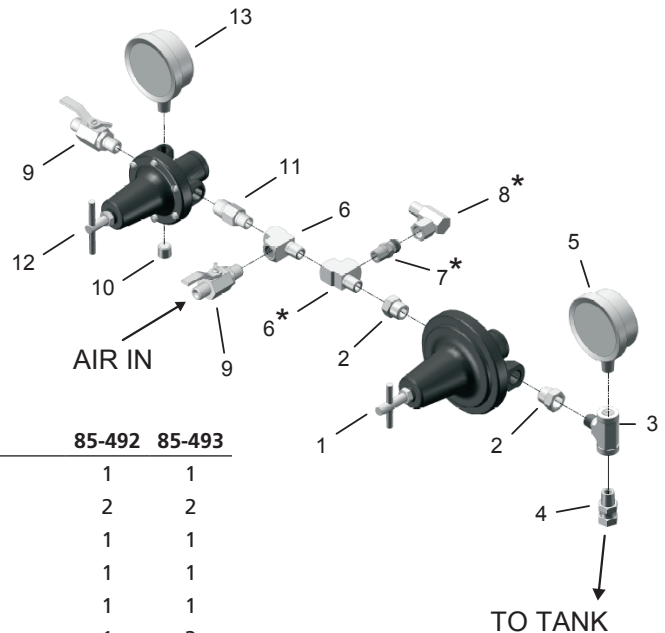
+ Refer to SB-6-131 for regulator service parts

EXTRA SENSITIVE REGULATOR AIR CONTROL DOUBLE REGULATOR

Provides extremely high precision control of tank pressure plus standard regulation for a spray gun. Includes 40 PSI Safety Valve (Not shown.)

85-492 for non-agitated tanks
85-493 for agitated tanks

*Items with an asterisk are for use with an agitator.



ITEM NO.	PART NO.	DESCRIPTION	85-492	85-493
1	HAR-501	EXTRA-SENSITIVE REGULATOR	1	1
2	-----	BUSHING-STL-PLTD – 3/8 (m) x 1/4 (f)	2	2
3	SSP-2629-ZN	MALE BRANCH TEE – 1/4NPT	1	1
4	SSP-8217-ZN	SWIVEL ADAPTER	1	1
5	83-1414	GAUGE - 30 PSI	1	1
6	-----	1/4 NPT STREET TEE	1	2
7	H-2008	NIPPLE – 1/4 NPS x 1/4 NPT	—	1
8	SSP-ZN-30	SWIVEL ELBOW – 1/4 NPS(m) x 1/4 NPS (sw)	—	1
9	VA-542	BALL VALVE	2	2
10	-----	1/4 NPT PLUG (SUPPLIED W/ REGULATOR)	2	2
11	83-4233	D.M. NIPPLE 1/4 x 3/8	1	1
12	# HAR-507	AIR REGULATOR	1	1
13	83-1355	GAUGE – 100 PSI	1	1
14	TIA-5040	SAFETY VALVE, 40 PSI (NOT SHOWN)	1	1

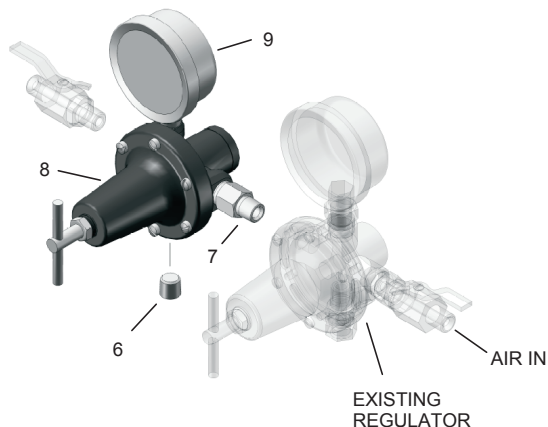
• Purchase locally

+ Refer to SB-6-131 for regulator service parts

Refer to SBBI-6-147 for regulator service parts

85-469 CONVERSION TO DOUBLE REGULATOR ASSEMBLY KIT

Convert standard single regulator or extra-sensitive air control to a double regulator air control.

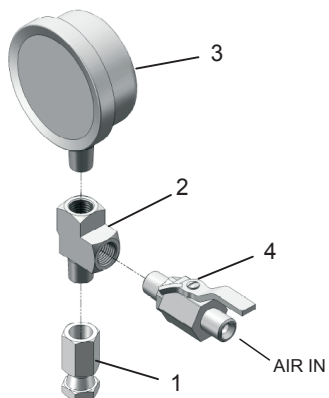


ITEM NO.	PART NO.	DESCRIPTION	QTY.
6	• —	1/4 NPT PLUG (SUPPLIED W/ REGULATOR)	1
7	83-4233	D.M. NIPPLE 1/4 x 3/8	1
8	HAR-507	AIR REGULATOR	1
9	83-1355	GAUGE – 100 PSI	1

•Purchase locally

QMS-4003 NO REGULATION KIT

Use when fluid pressure in tank is regulated by some other, separate, method of control.



ITEM NO.	PART NO.	DESCRIPTION	QTY.
1	• —	ADAPTER, 1/4 NPT(F) X 1/4 NPS (SW)	1
2	• —	STREET TEE	1
3	83-1290	GAUGE, 150 PSI	1
4	VA-542	BALL VALVE	1

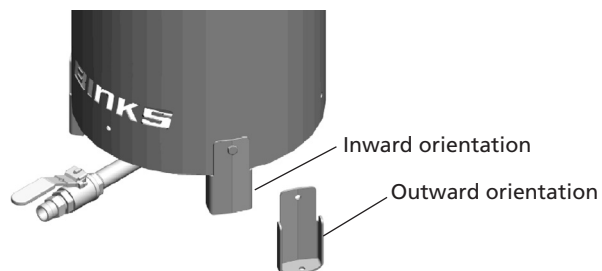
•Purchase locally

BOTTOM OUTLET KIT

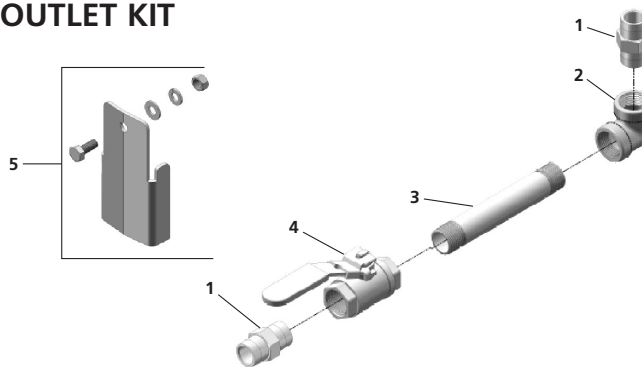
BOTTOM OUTLET KIT WITH LEGS

Allows conversion of tank from standard top outlet to bottom outlet. All bottom outlet wetted parts are stainless steel.

183-3001 for 5-, 10- and 15-gallon tanks with 3/4" bottom outlets. Includes three 183-3005 Leg Kits.



Legs can be oriented either inward or outward to provide flexibility in mounting.

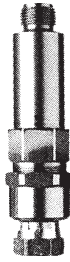


ITEM NO.	PART NO.	DESCRIPTION	QTY.
1	—	ADAPTER, 3/4 NPT-NPS UNIVERSAL	2
2	—	ELBOW, 3/4 NPT (F)	1
3	—	PIPE NIPPLE	1
4	—	BALL VALVE, 3/4 NPT FULL PORT	1
5	183-3005	LEG KIT	3

ACCESSORIES

VS-534 FLUID STRAINER

Primary fluid strainer that attaches between fluid outlet valve and fluid hose to strain material. Components made of stainless steel with a nylon filter. Comes standard with 100-mesh screen. For more information see SB-7-072.



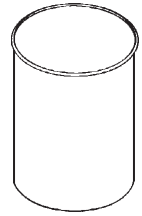
DISPOSABLE TANK LINERS

Molded polyethylene tank liners reduce solvent waste and tank cleanup time. The liner is made of tough, durable, leakproof poly-ethylene and can be used with all compatible materials.

PTL-408-K20 Kit of 20 tank liners (9.8 gal.)

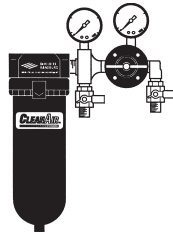
PTL-412-K8 Kit of 8 tank liners (11.8 gal.)

PTL-415-K10 Kit of 10 liners (19.8 gal.)



HFRL-508, HFRL-509 CLEAN AIR™ CONTROL UNITS

These units are designed to remove dirt, pipe scale and most liquid aerosol. Includes an automatic drain which expels liquids which accumulate in the filter bowl.



PROSPECTOR™ PRESSURE TANK STRAINERS FOR 5, 10, AND 15 GALLON TANKS

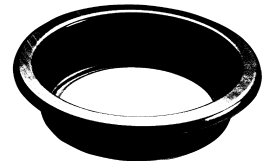
Prospector™ strainers are an economical way to remove foreign material from paint, stain, lacquer and coatings.

Inner Diameter 11.75" (298.45mm)
Outer Diameter 15.375" (390.52mm)
Height/Depth 3.75" (95.25mm)
Case Qty 20

PTS-5Gal-K20-200 200 micron
(approx. 65 wire mesh)

PTS-5Gal-K20-400 400 micron
(approx. 37 wire mesh)

PTS-5Gal-K20-600 600 micron
(approx. 28 wire mesh)



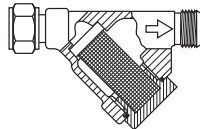
29-3100 SCRUBS® HAND CLEANER TOWELS

Scrubs® are a pre-moistened hand cleaner towel for painters. No water is needed.



83-2924 FLUID Y-STRAINER

Attaches on fluid outlet of tank. Includes 100-mesh filter screen. (Additional filter screens in other mesh sizes available.)



WARRANTY POLICY

Binks products are covered by Finishing Brands one year materials and workmanship limited warranty. The use of any parts or accessories, from a source other than Finishing Brands, will void all warranties. For specific warranty information please contact the closest Finishing Brands location listed below.

Finishing Brands reserves the right to modify equipment specifications without prior notice. DeVilbiss®, Ransburg®, BGK®, and Binks® are registered trademarks of Carlisle Fluid Technologies, Inc., dba Finishing Brands. ©2015 Carlisle Fluid Technologies, Inc., dba Finishing Brands. All rights reserved.



Binks is part of Finishing Brands, a global leader in innovative spray finishing technologies. For technical assistance or to locate an authorized distributor, contact one of our international sales and customer support locations below.

USA/Canada

www.binks.com
info@carlisleleft.com
Tel: 1-800-992-4657
Fax: 1-888-246-5732

Mexico

www.carlisleleft.com.mx
ventas@carlisleleft.com.mx
Tel: 011 52 55 5321 2300
Fax: 011 52 55 5310 4790

Brazil

www.devilbiss.com.br
vendas@carlisleleft.com.br
Tel: +55 11 5641 2776
Fax: 55 11 5641 1256

United Kingdom

www.finishingbrands.eu
info@carlisleleft.eu
Tel: +44 (0)1202 571 111
Fax: +44 (0)1202 573 488

France

www.finishingbrands.eu
info@carlisleleft.eu
Tel: +33(0)475 75 27 00
Fax: +33(0)475 75 27 59

Germany

www.finishingbrands.eu
info@carlisleleft.eu
Tel: +49 (0) 6074 403 1
Fax: +49 (0) 6074 403 281

China

www.finishingbrands.com.cn
mkt@carlisleleft.com.cn
Tel: +8621-3373 0108
Fax: +8621-3373 0308

Japan

www.ransburg.co.jp
overseas-sales@carlisleleft.co.jp
Tel: 081 45 785 6421
Fax: 081 45 785 6517

Australia

www.finishingbrands.com.au
sales@carlisleleft.com.au
Tel: +61 (0) 2 8525 7555
Fax: +61 (0) 2 8525 7500



DeVilbiss Automotive Refinishing is part of Finishing Brands, a global leader in innovative spray finishing technologies. For technical assistance or to locate an authorized distributor, contact one of our sales and customer support locations below.

USA/Canada

www.autorefinishdevilbiss.com
askus@carlisleleft.com
Toll Free Tel: 1-800-445-3988
Toll Free Fax: 1-800-445-6643

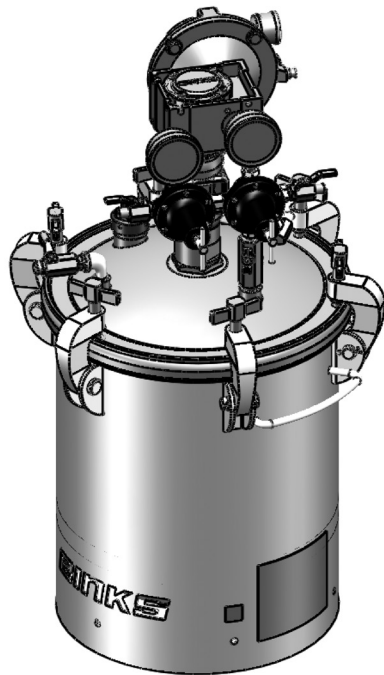
Mexico

www.autorefinishdevilbiss.com.mx
Toll Free Tel: 1-888-835-6232 USA





183G (GALVANIZED) 5, 10, AND 15 GALLON ASME TANKS



Importante: Lea y siga todas las instrucciones y PRECAUCIONES DE SEGURIDAD antes de usar este equipo. Guardar para referencia en el futuro.

CAPACIDADES REALES

- El de 5 galones tiene capacidad para 9.8 galones o un balde de 5 galones
- El de 10 galones tiene capacidad para 11.8 galones
- El de 15 galones tiene capacidad para 19.8 galones

DESCRIPCIÓN

Los tanques alimentados a presión de Binks están destinados para ser utilizados como un recipiente a presión para suministrar materiales a una presión constante prefijada hasta un máximo de 110 psi. Los tanques son fabricados siguiendo las especificaciones de ASME. También certificado para el funcionamiento en vacío.

MODELOS GALVANIZADOS DE 5 GALONES

Modelo del tanque	Regulación	Agitación
183G-500	Ninguna	Ninguna
183G-510	Única (aire regulado sólo al tanque)	Ninguna
183G-513	Única (aire regulado sólo al tanque)	Engranaje reducido (reforzado)
183G-520	Doble (aire regulado al tanque y la pistola)	Ninguna
183G-523	Doble (aire regulado al tanque y la pistola)	Engranaje reducido (reforzado)
183G-530	Extra sensible	Ninguna
183G-533	Extra sensible	Engranaje reducido (reforzado)
183G-540	Extra sensible c/regulación de pistola	Ninguna
183G-543	Extra sensible c/regulación de pistola	Engranaje reducido (reforzado)

MODELOS GALVANIZADOS DE 10 GALONES

Modelo del tanque	Regulación	Agitación
183G-1000	Ninguna	Ninguna
183G-1010	Única (aire regulado sólo al tanque)	Ninguna
183G-1013	Única (aire regulado sólo al tanque)	Engranaje reducido (reforzado)
183G-1020	Doble (aire regulado al tanque y la pistola)	Ninguna
183G-1023	Doble (aire regulado al tanque y la pistola)	Engranaje reducido (reforzado)
183G-1030	Extra sensible (única)	Ninguna
183G-1033	Extra sensible (única)	Engranaje reducido (reforzado)
183G-1040	Extra sensible c/regulación de pistola	Ninguna
183G-1043	Extra sensible c/regulación de pistola	Engranaje reducido (reforzado)

MODELOS GALVANIZADOS DE 15 GALONES

Modelo del tanque	Regulación	Agitación
183G-1500	Ninguna	Ninguna
183G-1510	Única (aire regulado sólo al tanque)	Ninguna
183G-1513	Única (aire regulado sólo al tanque)	Engranaje reducido (reforzado)
183G-1520	Doble (aire regulado al tanque y la pistola)	Ninguna
183G-1523	Doble (aire regulado al tanque y la pistola)	Engranaje reducido (reforzado)
183G-1530	Extra sensible (única)	Ninguna
183G-1533	Extra sensible (única)	Engranaje reducido (reforzado)
183G-1540	Extra sensible c/regulación de pistola	Ninguna
183G-1543	Extra sensible c/regulación de pistola	Engranaje reducido (reforzado)

En esta Hoja de piezas, las palabras **ADVERTENCIA**, **PRECAUCIÓN** y **NOTA** se emplean para enfatizar información de seguridad importante de la manera siguiente:

ADVERTENCIA

Prácticas peligrosas o inseguras que pueden ocasionar lesiones personales graves, la muerte o daño substancial a la propiedad.

PRECAUCIÓN

Prácticas peligrosas o inseguras que pueden ocasionar lesiones personales leves, daño al producto o a la propiedad

NOTA

Información importante de instalación, operación o mantenimiento.

ADVERTENCIA

Lea las siguientes advertencias antes de usar este equipo.



LEA EL MANUAL

Antes de operar los equipos de acabado, lea y comprenda toda la información de seguridad, operación y mantenimiento incluida en el manual de operaciones.



CAPACITACIÓN DE LOS OPERADORES

Todos los miembros del personal deben ser capacitados antes de operar los equipos de acabado.



PELIGRO POR USO INDEBIDO DEL EQUIPO

El uso indebido del equipo puede ocasionar averías, mal funcionamiento o activación imprevista lo que a su vez puede producir lesiones graves.



BLOQUEO / ETIQUETADO

No desactivar, desconectar, bloquear ni etiquetar todas las fuentes de suministro de energía antes de realizar operaciones de mantenimiento en los equipos puede ocasionar lesiones graves o la muerte.



EQUIPOS AUTOMÁTICOS

Los equipos automáticos pueden activarse súbitamente sin advertencia.



PROCEDIMIENTO DE LIBERACIÓN DE PRESIÓN

Siga siempre el procedimiento de liberación de presión que aparece en el manual de instrucciones del equipo.



MANTENGA LOS PROTECTORES DEL EQUIPO EN SU LUGAR.

No operar los equipos si los dispositivos de seguridad fueron retirados.



SEPA CÓMO Y DÓNDE DESACTIVAR LOS EQUIPOS EN CASO DE EMERGENCIA.



USE GAFAS PROTECTORAS

No usar gafas protectoras con resguardos laterales puede ocasionar lesiones graves en los ojos o ceguera.



INSPECCIONE LOS EQUIPOS DIARIAMENTE

Inspeccione diariamente los equipos para verificar que no tengan piezas gastadas o rotas. No opere los equipos si no está seguro de esta condición.



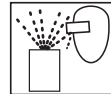
NUNCA MODIFIQUE LOS EQUIPOS

No modifique el equipo sin la autorización escrita del fabricante.



PELIGRO DE RUIDO

Usted puede resultar lesionado por el ruido muy fuerte. Podría necesitar protección de los oídos al usar este equipo.



PELIGRO DE PROYECTILES

Usted puede resultar lesionado por dar salida a líquidos o gases liberados bajo presión o por restos que vuelan.



PELIGRO DE PUNTOS DE PRESIÓN

Las partes móviles pueden aplastar y ocasionar cortaduras. Los puntos de presión son básicamente todas las áreas donde haya partes móviles.



CARGA ESTÁTICA

Los fluidos pueden generar una carga estática que debe ser disipada mediante la debida puesta a tierra del equipo, los objetos que van a ser atomizados y todos los demás objetos electroconductores en el área de suministro. La puesta a tierra indebida o las chispas pueden ocasionar condiciones de peligro y producir incendios, explosiones o descargas eléctricas y otras lesiones graves.



USE RESPIRADOR

La inhalación de vapores tóxicos puede ocasionar lesiones graves o la muerte. Use un respirador como lo recomienda la Hoja de datos de seguridad del fabricante de fluido y el solvente.



FLUIDOS Y VAPORES TÓXICOS

Los fluidos peligrosos o los vapores tóxicos pueden ocasionar lesiones graves o la muerte si se salpican a los ojos o la piel, se inhalan, se inyectan o ingieren. APRENDA y CONOZCA los peligros específicos de los fluidos que está utilizando.



PELIGRO DE INCENDIO Y EXPLOSIÓN

La conexión a tierra indebida de los equipos, la ventilación insuficiente, la llama abierta o las chispas pueden ocasionar una condición de peligro y producir incendios, explosiones y otras lesiones graves.



ALERTA MÉDICA

Cualquier lesión ocasionada por líquido de alta presión puede ser grave. Si sufre una lesión o sospecha haber sufrido una:

- Vaya a una sala de emergencia de inmediato.
- Informe al médico que sospecha haber sufrido una lesión por inyección.
- Muestre al médico esta información médica o la tarjeta de alerta médica provista con su equipo atomizador sin aire.
- Informe al médico acerca del tipo de fluido que estaba atomizando o aplicando.



OBTENGA ATENCIÓN MÉDICA INMEDIATA

Para evitar el contacto con el fluido, tenga en cuenta lo siguiente:

- Nunca apunte la pistola/válvula hacia ninguna persona ni hacia ninguna parte del cuerpo.
- Nunca ponga la mano ni los dedos sobre la punta atomizadora.
- Nunca trate de detener ni desviar los escapes de fluido con la mano, el cuerpo, guantes o trapos.
- Antes de atomizar, tenga siempre el resguardo de la punta puesto en la pistola atomizadora.
- Antes de atomizar, asegúrese siempre de que el seguro del disparador de la pistola esté operativo.

CA PROP
65






ADVERTENCIA PROP 65 DE CA

ADVERTENCIA: Este producto contiene sustancias químicas que según información en poder del estado de California producen cáncer, defectos de nacimiento y otros daños al sistema reproductor.

ES RESPONSABILIDAD DEL EMPLEADOR SUMINISTRAR ESTA INFORMACIÓN AL OPERADOR DEL EQUIPO. PARA MÁS INFORMACIÓN DE SEGURIDAD ACERCA DE ESTE EQUIPO, CONSULTE EL FOLLETO DE SEGURIDAD GENERAL DE LOS EQUIPOS (77-5300).

CONJUNTOS DE TANQUES GALVANIZADOS DE 10/05/15 GALONES – MEDIDAS PREVENTIVAS

Durante el uso normal de este equipo pueden ocurrir las siguientes situaciones de peligro. Sírvase leer la siguiente tabla.

PELIGRO	CAUSA	MEDIDAS PREVENTIVAS
Incendio 	Los solventes y recubrimientos pueden ser altamente inflamables o combustibles, especialmente cuando se atomizan.	<ol style="list-style-type: none"> 1. Debe proveerse de un escape adecuado para mantener el aire libre de acumulaciones de vapores inflamables. 2. Nunca debe permitirse fumar en el área donde se atomiza. 3. En el área donde se atomiza debe haber equipo extintor de incendios.
Incendio – Tanque a presión 	Los vapores provenientes de líquidos inflamables pueden prender fuego o explotar.	Mantenga el tanque al menos a 10 pies de distancia de las fuentes de ignición. Las fuentes de ignición incluyen objetos calientes, chispas mecánicas y equipos eléctricos con formación de arcos (no a prueba de explosiones).
Peligro de explosión – Tanque a presión – Electricidad estática 	La electricidad estática se crea por el flujo de fluido a través del tanque a presión y la manguera. Si todas las piezas no tienen la debida conexión a tierra, podrían producirse chispas. Las chispas pueden encender los vapores de los solventes y el fluido que está siendo atomizado.	<ol style="list-style-type: none"> 1. Haga la conexión a tierra del tanque a presión acoplando un extremo del cable de tierra calibre 12 (mínimo) al tanque a presión y el otro extremo a una conexión a tierra efectiva. Los códigos locales pueden tener requisitos de conexión a tierra adicionales. 2. Ver en la ilustración de la página 6 los requisitos de conexión a tierra y los accesorios de conexión a tierra requeridos.
Peligro de explosión – Tanque a presión – Ruptura 	Hacer cambios a un tanque a presión lo debilitará.	<ol style="list-style-type: none"> 1. Nunca perfore, solde o modifique de ninguna manera el tanque. 2. No ajuste, quite o manipule indebidamente la válvula de seguridad. Si fuese necesario reemplazar, use una válvula del mismo tipo y con la misma clasificación.
Peligro de explosión – Tanques galvanizados – Compatibilidad del material 	Los solventes con hidrocarburos halogenados –por ejemplo 1-1-1 tricloroetano y cloruro de metileno– pueden reaccionar químicamente con las piezas y componentes de aluminio y ocasionar peligro de explosión. Estos solventes también corroen el recubrimiento del tanque galvanizado.	<ol style="list-style-type: none"> 1. Lea la etiqueta y la hoja de información del material. No use materiales que contengan estos solventes con tanques a presión galvanizados. Se pueden usar modelos de tanques de acero inoxidable con solventes halogenados. 2. Consulte la tabla de especificaciones para asegurarse de que los fluidos sean químicamente compatibles con las partes mojadas del tanque. Antes de introducir fluidos o solventes en el tanque, lea siempre los materiales impresos del fabricante adjuntos.
Seguridad en general	La operación o mantenimiento indebidos pueden crear un peligro.	Los operadores deben recibir la capacitación adecuada en el uso y mantenimientos sin riesgos (de acuerdo con los requisitos de NFPA-33, Capítulo 15 en EEUU) del equipo. Los usuarios deben cumplir con todos los códigos locales y nacionales que rigen la ventilación, las precauciones contra incendios, la operación, el mantenimiento y la limpieza (en EEUU, estas son las secciones 1910.94 y 1910.107 de OSHA y NFPA-33.

ADVERTENCIA

La alta presión puede ocasionar lesiones graves.

La presión se mantiene en un tanque a presión después de haber apagado el sistema.

Siga siempre este procedimiento para liberar la presión del tanque.

PROCEDIMIENTO DE LIBERACIÓN DE PRESIÓN

Para reducir el riesgo de sufrir una lesión, siga el procedimiento de liberación de presión a continuación

- Antes de revisar o reparar o dar mantenimiento a cualquier parte del sistema de pulverización
 - Antes de intentar quitar el sombrerete del puerto de llenado o la cubierta del tanque
 - Siempre que el tanque se deje desatendido
1. Interrumpir el suministro de aire principal al tanque.
 2. Cerrar la válvula de entrada de aire ubicada en el colector de aire del tanque.
 3. Purgar el aire del tanque haciendo girar el tornillo de mariposa de la válvula de liberación de aire (5) en sentido antihorario. Esperar hasta que todo el aire haya salido por la válvula antes de quitar la cubierta del tanque a presión o el sombrerete del puerto de llenado.
 4. Dejar abierta la válvula de liberación de aire hasta haber reinstalado la cubierta del tanque o el sombrerete del puerto de llenado.

CONJUNTOS DE TANQUES GALVANIZADOS DE 10/05/15 GALONES – ESPECIFICACIONES Y OPCIONES

ESPECIFICACIONES	
	TANQUES GALVANIZADOS
Presión máxima de trabajo	110 psi
Casco del tanque	Acero SA-414, galvanizado (Zinc)
Tapa del tanque	Acero SA-414, galvanizado (Zinc)
Tubo de fluidos	Tubo de acero, galvanizado 3/8 pulg.
Salida de fluido (codo)	Acero, enchapado en zinc
Válvula de fluido, salida	Latón, niquelado 3/8-18 NPS(M)
Paleta del agitador/Propulsor	Nylon, con refuerzo interior de fibra de vidrio
Eje del agitador	Acero, enchapado en zinc
Obturador del eje del agitador	PTFE tecnificado, acero inoxidable
Colector de aire	Acero, enchapado en zinc
Tapón (acoplamiento del colector de aire)	Acero, enchapado en zinc
Salida inferior (kit opcional)	Acero inoxidable 304, 3/4-14 NPS(M)

CAPACIDADES DEL TANQUE	
Capacidad nominal	Capacidad actual
5 galones EEUU	9.8 galones EEUU
10 galones EEUU	11.8 galones EEUU
15 galones EEUU	19.8 galones EEUU

OPCIONES PARA CONTROL DE AIRE	
TIPO	APLICACIÓN
Sin regulación (sólo manómetro de entrada de aire)	Tanques de retención, tanques de transferencia, usado dónde no se requiera de control de precisión de la presión de fluido.
Regulación única estándar	Proporciona control de presión de fluido estándar solamente. Para uso donde no se requiera control de precisión tanto de fluido como de la presión de aire. También usado donde el aire de atomización se pueda tomar de las líneas de aire del filtro/regulador.
Regulación doble estándar	Control de precisión para uso con materiales que se aplican mejor a presiones de fluido y aire de atomización bajas, estrechamente controladas. Usado con compresores de aire portátiles o con líneas de aire cuando no esté disponible ningún otro medio de regulación de la presión de aire.
Regulación extra sensible	Proporciona un control sumamente preciso de presión baja, presión de fluido
Regulación extra sensible con regulación de pistola estándar	Proporciona un control sumamente exacto de presión baja, presión de fluido además de control de precisión del aire de atomización de la pistola pulverizadora.

OPCIONES DE AGITACIÓN	
TIPO	APLICACIÓN
Sin agitación	Materiales que requieran mezcla mínima o ninguna mezcla y/o mantienen de inmediato cualquier sólido en suspenso.
Agitación con impulsión de engranaje reducido	Agitador resistente para materiales con viscosidad de mediana a alta que requieran de mezcla y/o suspensión de sólidos.

CONJUNTOS DE TANQUES GALVANIZOS DE 10/05/15 GALONES – OPERACIÓN Y REVISIONES DE SERVICIO

⚠ ADVERTENCIA

La alta presión puede ocasionar lesiones graves.

La presión se mantiene en un tanque a presión después de haber apagado el sistema.

Siga el procedimiento de liberación de presión en la página 3 antes de abrir la tapa o el puerto de llenado o realizar labores de mantenimiento en el tanque.

PREPARACIÓN

Mezcle y prepare el material que va a usar siguiendo las instrucciones del fabricante. Filtre el material a través de un tamiz de malla fina para eliminar grumos, piel y materias foráneas que puedan penetrar y obstruir los conductos de fluido y/o el equipo de pulverización.

Siga el proceso de liberación de presión que antecede.

Para agregar material al tanque, quite la tapa y vierta el material directamente en el tanque o contenedor.

Si lo desea, se puede colocar directamente sobre el tanque, un balde de 1 galón de fluido en sistema estadounidense o métrico.

Vuelva a colocar el conjunto de la tapa y apriete los tornillos de mariposa (17) con firmeza.

El suministro de aire al tanque debe incluir un separador de agua/filtro para filtrar la suciedad del aire y eliminar el agua y el aceite.

Conecte la manguera del material a la válvula esférica de salida de fluido (8).

OPERACIÓN

1. Cierre la válvula de entrada de aire al tanque. Haga girar el mango del regulador en sentido antihorario hasta que se libere la tensión del resorte.
2. Abra el suministro de aire al tanque.
3. Abra la válvula de entrada de aire al tanque.
4. Abra la válvula de salida de fluido.
5. Haga girar el mango del regulador de la presión del tanque en sentido horario para presurizar el tanque.
6. Active el aire de atomización hacia la pistola pulverizadora en la fuente del suministro.
7. Pruebe el pulverizador. Para más instrucciones, consulte los materiales impresos provistos con la pistola pulverizadora.
8. Si se utiliza un agitador accionado por motor de aire, ponga en marcha el agitador abriendo lentamente la válvula de aguja. La velocidad del motor de aire se debe regular según la naturaleza del material que se está agitando.

MANTENIMIENTO

Para limpiar el equipo, proceda de la siguiente manera:

1. Interrumpa el suministro de aire.
2. Siga el procedimiento de liberación de presión.
3. Haga girar el tornillo de ajuste del mango en "T" en el regulador de presión de fluido del tanque en sentido antihorario hasta que no se sienta presión del resorte.

4. Afloje los tornillos de mariposa (17), la parte posterior de la abrazadera de la punta (16) y la tapa de la punta (11) a un lado del tanque. No quite la tapa del tanque.
5. Afloje el anillo de retención de la tapa de aire de la pistola pulverizadora dando unas tres vueltas.
6. Active el suministro de aire.
7. Coloque un paño sobre la tapa de aire en la pistola y accione el disparador. Esto hará que el material retorne a través de la manguera hacia el tanque.
8. Vacíe y limpie el tanque y las piezas que tienen contacto con el material. Use un solvente compatible con el material que se está usando.
9. Vierta el solvente en el tanque.
10. Vuelva a colocar la tapa y apriete los tornillos de mariposa y las abrazaderas.
11. Atomice hasta que aparezca el solvente limpio.
12. Repita los pasos del 4 al 8.

LUBRICACIÓN – Modelos con agitación

Consulte la información sobre lubricación en el manual de servicio provisto con el motor de aire.

Los cojinetes en el conjunto de cojinetes del agitador están impregnados con aceite especial no gomoso. No se necesita lubricación adicional.

El obturador del eje del agitador no requiere de lubricación.

REVISIONES DE SERVICIO		
CONDICIÓN	CAUSA	CORRECCIÓN
Escape de aire del puerto en la tapa del regulador.	Diafragma roto o dañado	Reemplazar el diafragma.
Corrimiento de presión registrado en el manómetro.	Asiento de válvula sucio o gastado en el regulador.	Limpiar o reemplazar el asiento de la válvula.
El material tiende a desprenderse rápidamente.	Material sin agitación suficiente.	Aumentar la agitación.
Escape de aire en el obturador del agitador.	Conjunto del obturador defectuoso.	Reemplazar.
Esparcimiento de la pintura al conjunto de cojinete del agitador.	1. Nivel de pintura muy alto en el tanque. 2. Obturador del eje del agitador defectuoso.	1. Mantener el nivel de fluido debajo del conjunto de cojinete. 2. Reemplazar.
Escape de fluido o aire en el empaque de la tapa.	1. Tornillo de mariposa no apretado. 2. Empaque de la tapa defectuoso.	1. Apretar. 2. Reemplazar.
Escape de fluido o aire en el empaque del puerto de llenado.	1. Sombbrero del puerto de llenado no apretado. 2. Empaque del puerto de llenado defectuoso.	1. Apretar. 2. Reemplazar.
Aire mezclado con pintura	1. Tubo de fluidos no sellado a la tapa. 2. Agitación excesiva.	1. Apretar el tubo de fluidos en la tapa. 2. Reducir la velocidad del agitador.

CONJUNTOS DE TANQUES GALVANIZADOS DE 10/05/15 GALONES

NOTA

El lado abierto del obturador del eje (8) está orientado hacia abajo.
El retenedor (9) se necesita sólo para operación al vacío.

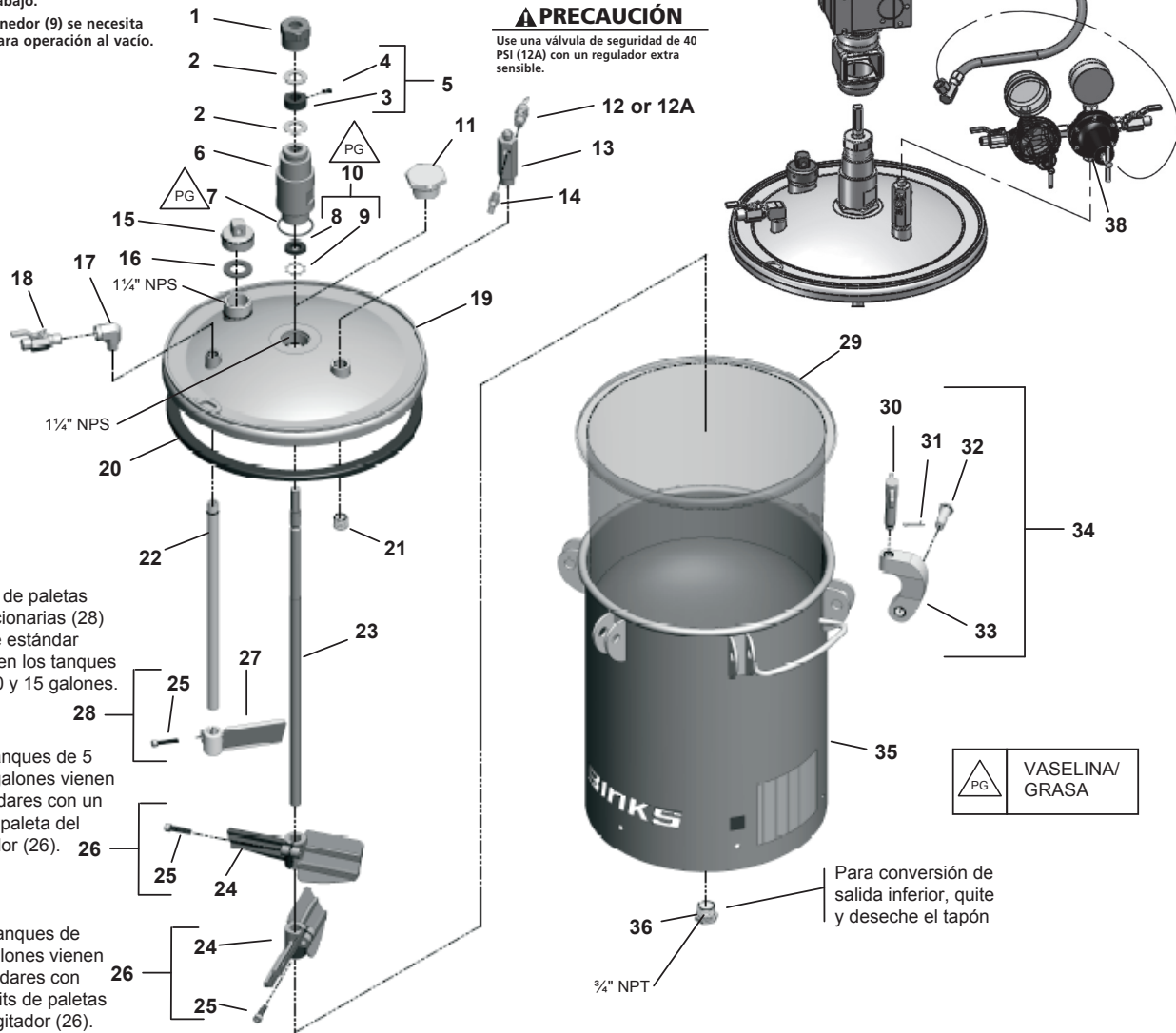
NOTA

Use sellador de rosca con base de PTFE en todas las conexiones de aire y fluido.

PRECAUCIÓN

Use una válvula de seguridad de 40 PSI (12A) con un regulador extra sensible.

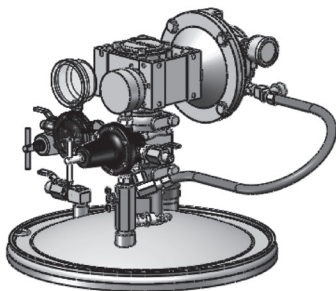
Para información acerca de la unidad de impulsión, consulte 77-2990.



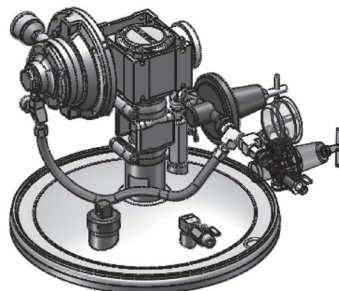
El kit de paletas estacionarias (28) viene estándar sólo en los tanques de 10 y 15 galones.

Los tanques de 5 y 10 galones vienen estándares con un kit de paleta del agitador (26).

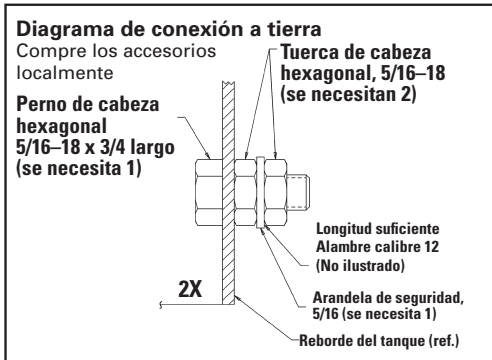
Los tanques de 15 galones vienen estándares con dos kits de paletas del agitador (26).



Enganche del agitador-regulador con regulación estándar.
1 ó 2 reguladores



Enganche del agitador-regulador con regulación extra sensible.
1 ó 2 reguladores
Requiere válvula de seguridad de 40 PSI (12A)



CONJUNTOS DE TANQUES GALVANIZADOS DE 10/05/15 GALONES – LISTA DE PIEZAS

ART. NO.	PIEZA NO.	DESCRIPCIÓN	5 GAL. CANT.	10 GAL. CANT.	15 GAL. CANT.
1	▲ QMS-46	TUERCA DE RETENCIÓN	1	1	1
2	▲ QMG-85	ARANDELA DE EMPUJE	2	2	2
3	▲ ----	COLLAR DE EMPUJE	1	1	1
4	▲• ----	TORNILLO PRISIONERO (5/16-18 X 3/8)	1	1	1
5	QMS-447	KIT DE COLLARES DE EMPUJE (INCL 4 y 5)	1	1	1
6	▲ QMG-409	CONJ. DE COJINETE-ACERO PURO	1	1	1
7	▲ SSG-8184-K2	JUNTA TÓRICA (KIT de 2)	1	1	1
8	▲ ----	OBTURADOR DEL EJE, D.I. 5/8	1	1	1
9	▲ ----	ANILLO DE RETENCIÓN INTERNO	1	1	1
10	KK-5042	KIT DE OBTURADORES DEL EJE (INCL 8 y 9)	1	1	1
11	QMG-19	TAPÓN (SÓLO MODELOS SIN AGITACIÓN)	1	1	1
12	TIA-5110	CONJ. DE VÁLVULA DE SEGURIDAD, 110 PSI	1	1	1
12ª	TIA-5040	CONJ. DE VÁLVULA DE SEGURIDAD, 40 PSI (SÓLO EXTRA SENSIBLE)			
13	QMG-21	COLECTOR DE AIRE	1	1	1
14	SS-2707	VÁLVULA DE LIBERACIÓN DE AIRE 1/4 NPT(M)	1	1	1
15	83-524	SOMBRETERE DEL PUERTO DE LLENADO	1	1	1
16	83-1207	EMPAQUE DEL SOMBRETERE DEL PUERTO DE LLENADO	1	1	1
17	• ----	CODO MACHO Y HEMBRA, 3/8-18 NPT (latón)	1	1	1
18	VA-540	VÁLVULA ESFÉRICA, SALIDA 3/8 NPS	1	1	1
19	QMG-402-1	TAPA DEL TANQUE	1	1	1
20	QM-1458-1	EMPAQUE DEL TANQUE	1	1	1
21	• ----	TAPÓN, 1/2-14 NPT (ACERO ENCHAPADO)	1	1	1
22	QMG-32	TUBO DE FLUIDOS	1	----	----
22	QMG-33	TUBO DE FLUIDOS	----	1	----
22	QMG-34	TUBO DE FLUIDOS	----	----	1
23	▲ QMG-28	EJE DEL AGITADOR	1	----	----
23	▲ QMG-29	EJE DEL AGITADOR	----	1	----
23	▲ QMG-30	EJE DEL AGITADOR	----	----	1
24	▲ ----	PALETA DEL AGITADOR	1	1	2
25	▲• ----	TORNILLO DE CABEZA ENCASTRADA, 5/16-18 X 1-1/4, AI	1	2	3
26	QMS-444	KIT DE PALETAS DEL AGITADOR (INCL 24 y 25)	1	1	2
27	▲ ----	PALETA ESTACIONARIA	----	1	1
28	QMS-445	KIT DE PALETAS ESTACIONARIAS (INCL 25 y 27)	----	1	1
29	PTL-408-K20	REVESTIMIENTO INTERIOR DESECHABLE DEL TANQUE, 5 GAL.	1	----	----
29	PTL-412-K8	REVESTIMIENTO INTERIOR DESECHABLE DEL TANQUE, 10 GAL.	----	1	----
29	PTL-415-K10	REVESTIMIENTO INTERIOR DESECHABLE DEL TANQUE, 15 GAL.	----	----	1
30	QM-1352	TORNILLO DE MARIPOSA (VER ART. 34)	6	6	6
31	• ----	CHAVETA, 1/8 DIÁ. X 1" ARGO (VER ART. 34)	6	6	6
32	----	PASADOR DE HORQUILLA (VER ART. 34)	6	6	6
33	----	ABRAZADERA (VER ART. 34)	6	6	6
34	+ KK-5014	KIT DE ABRAZADERA, CLAVIJA Y TORNILLO	6	6	6
35	QMG-505-1	CONJ. DE TANQUE Y OREJETA, 5 GAL.	1	----	----
35	QMG-510-1	CONJ. DE TANQUE Y OREJETA, 10 GAL.	----	1	----
35	QMG-515-1	CONJ. DE TANQUE Y OREJETA, 15 GAL.	----	----	1
36	----	TAPÓN INFERIOR	1	1	1
37	HA-57011	CONJ. DE MANGUERA NEUMÁTICA (INCL C/ART. 39)	1	1	1
38	VER PÁG. 8 y 9	CONTROL DE AIRE	1	1	1
39	QS-5012-1	MOTOR DE AIRE/UNIDAD DE LA CAJA DE ENGRANAJES	1	1	1

* Se vende localmente.

+ KK-5014 Kit de abrazadera, chaveta y tornillo incluye 1 de c/u de los art. 30, 31, 32 y 33.

▲ Los productos que están disponibles por separado o como un conjunto agitador completo:

QMG-418 (para tanques de 5 galones)
QMG-419 (para tanques de 10 galones)
QMG-420 (para tanques de 15 galones)

CONJUNTOS DE TANQUES GALVANIZADOS DE 10/05/15 GALONES – CONTROL DE AIRE

CONTROL DE AIRE CON REGULADOR ÚNICO

Sólo controla la presión del tanque.

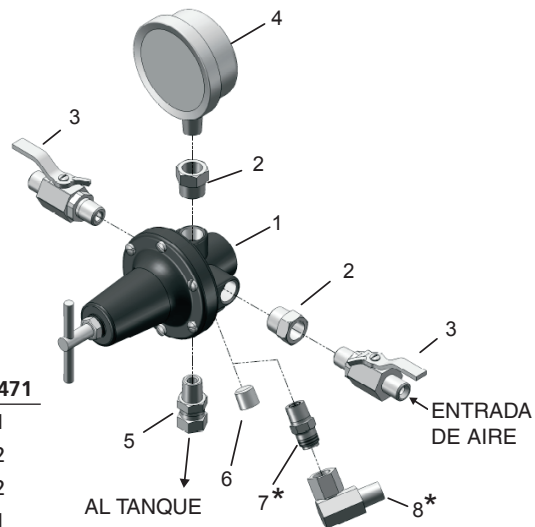
- 85-470 para tanques sin agitación
- 85-471 para tanques con agitación

*Los artículos con asterisco son para uso con un agitador.

ART. NO.	PIEZA NO.	DESCRIPCIÓN	85-470	85-471
1	+	HAR-511 REGULADOR DE AIRE	1	1
2	•	----- MANGUITO-ACERO ENCHAPADO – 3/8 (m) x 1/4 (f)	2	2
3		VA-542 VÁLVULA ESFÉRICA	2	2
4		83-1290 MANÓMETRO – 150 PSI	1	1
5		SSP-8217-ZN ADAPTADOR GIRATORIO	1	1
6	•	----- TAPÓN, 1/4 NPT (PROVISTO C/REGULADOR)	1	—
7		H-2008 BOQUILLA, 1/4 NPS x 1/4 NPT	—	1
8		SSP-30-ZN CODO GIRATORIO – 1/4 NPS(m) x 1/4 NPS (sw)	—	1

• Se vende localmente.

+ Para piezas de servicio del regulador, consulte 77-2781



CONTROL DE AIRE CON REGULADOR DOBLE

Presión del tanque de control y presión de atomización de la pistola pulverizadora.

- 85-472 para tanques sin agitación
- 85-473 para tanques con agitación

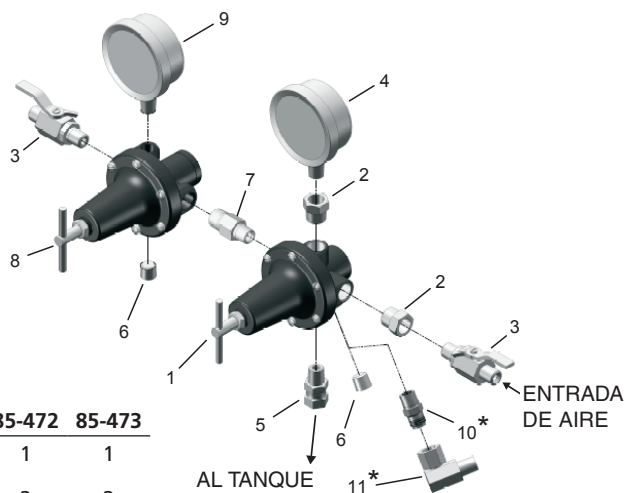
*Los artículos con asterisco son para uso con un agitador.

ART. NO.	PIEZA NO.	DESCRIPCIÓN	85-472	85-473
1	+	HAR-511 REGULADOR DE AIRE	1	1
2	•	----- MANGUITO-ACERO ENCHAPADO – 3/8 (m) x 1/4 (f)	2	2
3		VA-542 VÁLVULA ESFÉRICA	2	2
4		83-1290 MANÓMETRO - 150 PSI	1	1
5		SSP-8217-ZN ADAPTADOR GIRATORIO	1	1
6	•	----- TAPÓN, 1/4 NPT (PROVISTO C/REGULADOR)	2	1
7		83-4233 BOQUILLA DE ENTRADA DM, 1/4 x 3/8	1	1
8	#	HAR-507 REGULADOR DE AIRE	1	1
9		83-1355 MANÓMETRO - 100 PSI	1	1
10		H-2008 BOQUILLA, 1/4 NPS x 1/4 NPT	—	1
11		SSP-30-ZN CODO GIRATORIO – 1/4 NPS(m) x 1/4 NPS (sw)	—	1

• Se vende localmente.

+ Consulte 77-2781 para piezas de servicio del regulador

Para piezas de servicio del regulador, consulte SBBI-6-147



CONJUNTOS DE TANQUES GALVANIZADOS DE 10/05/15 GALONES – CONTROL EXTRA SENSIBLE DE AIRE

CONTROL DE AIRE CON REGULADOR EXTRA SENSIBLE Y REGULADOR ÚNICO

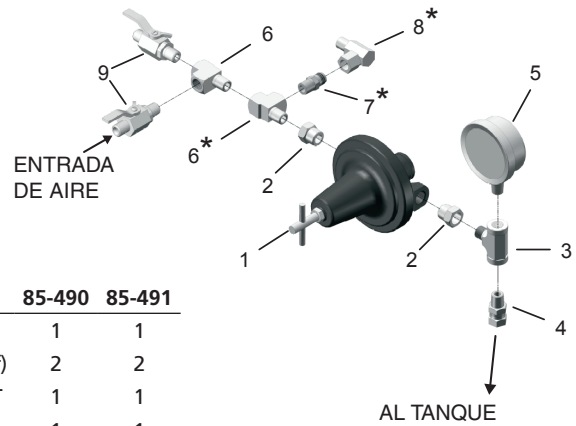
Proporciona control de precisión sumamente alta (sólo) de la presión del tanque de 0 – 30 PSI. Incluye válvula de seguridad de 40 PSI (no ilustrada.)

- 85-490 para tanques sin agitación
- 85-491 para tanques con agitación

*Los artículos con asterisco son para uso con un agitador.

ART. NO.	PIEZA NO.	DESCRIPCIÓN	85-490	85-491
1	+	HAR-501 REGULADOR EXTRA SENSIBLE	1	1
2	•	----- MANGUITO-ACERO ENCHAPADO – 3/8 (m) x 1/4 (f)	2	2
3		SSP-2629-ZN T ROSCADA CON DERIVACIÓN MACHO – 1/4 NPT	1	1
4		SSP-8217-ZN ADAPTADOR GIRATORIO	1	1
5		83-1414 MANÓMETRO - 30 PSI	1	1
6	•	----- T ROSCADA MACHO Y HEMBRA, 1/4 NPT	1	2
7		H-2008 BOQUILLA – 1/4 NPS x 1/4 NPT	—	1
8		SSP-ZN-30 CODO GIRATORIO – 1/4 NPS(m) x 1/4 NPS (sw)	—	1
9		VA-542 VÁLVULA ESFÉRICA	2	2
10		TIA-5040 VÁLVULA DE SEGURIDAD, 40 PSI (NO ILUSTRADA)	1	1

- Se vende localmente.
- + Para piezas de servicio del regulador, consulte SB-6-131



CONTROL DE AIRE CON REGULADOR EXTRA SENSIBLE Y REGULADOR DOBLE

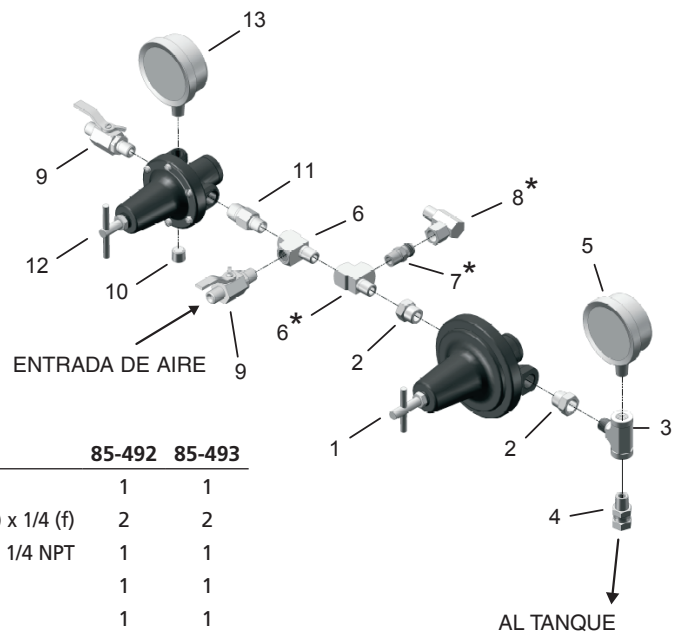
Proporciona control de precisión sumamente alta de la presión del tanque además de regulación estándar para una pistola pulverizadora. Incluye válvula de seguridad de 40 PSI (no ilustrada.)

- 85-492 para tanques sin agitación
- 85-493 para tanques con agitación

*Los artículos con asterisco son para uso con un agitador.

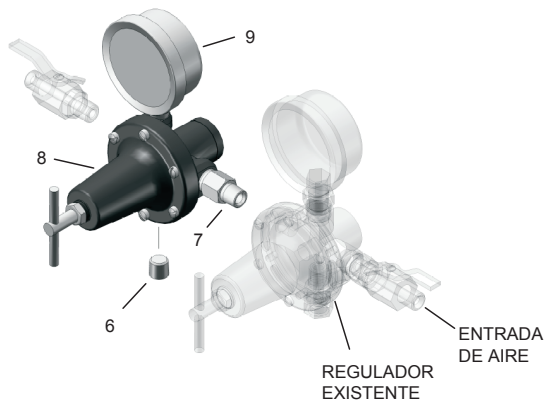
ART. NO.	PIEZA NO.	DESCRIPCIÓN	85-492	85-493
1	+	HAR-501 REGULADOR EXTRA SENSIBLE	1	1
2	•	----- MANGUITO-ACERO ENCHAPADO – 3/8 (m) x 1/4 (f)	2	2
3		SSP-2629-ZN T ROSCADA CON DERIVACIÓN MACHO – 1/4 NPT	1	1
4		SSP-8217-ZN ADAPTADOR GIRATORIO	1	1
5		83-1414 MANÓMETRO - 30 PSI	1	1
6	•	----- T ROSCADA MACHO Y HEMBRA, 1/4 NPT	1	2
7		H-2008 BOQUILLA – 1/4 NPS x 1/4 NPT	—	1
8		SSP-ZN-30 CODO GIRATORIO – 1/4 NPS(m) x 1/4 NPS (sw)	—	1
9		VA-542 VÁLVULA ESFÉRICA	2	2
10	•	----- TAPÓN, 1/4 NPT (PROVISTO C/REGULADOR)	2	2
11		83-4233 BOQUILLA DE ENTRADA DM, 1/4 x 3/8	1	1
12	#	HAR-507 REGULADOR DE AIRE	1	1
13		83-1355 MANÓMETRO – 100 PSI	1	1
14		TIA-5040 VÁLVULA DE SEGURIDAD, 40 PSI (NO ILUSTRADA)	1	1

- Se vende localmente.
- + Para piezas de servicio del regulador, consulte SB-6-131
- # Para piezas de servicio del regulador, consulte SBBI-6-147



85-469 KIT DE CONVERSIÓN AL CONJUNTO DE REGULADOR DOBLE

Convierte el regulador único estándar o control de aire extra sensible a control de aire con regulador doble.

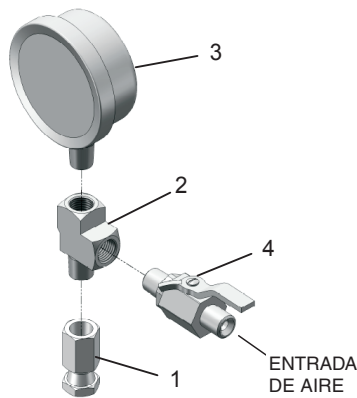


ART. NO.	PIEZA NO.	DESCRIPCIÓN	CANT.
6	• —	TAPÓN, 1/4 NPT (PROVISTO C/ REGULADOR)	1
7	83-4233	BOQUILLA DM, 1/4 x 3/8	1
8	HAR-507	REGULADOR DE AIRE	1
9	83-1355	MANÓMETRO – 100 PSI	1

•Se vende localmente.

QMS-4003 KIT SIN REGULACIÓN

Usar cuando la presión de fluido en el tanque es regulada por algún otro método de control, separado.



ART. NO.	PIEZA NO.	DESCRIPCIÓN	CANT.
1	• —	ADAPTADOR, 1/4 NPT(F) X 1/4 NPS (SW)	1
2	• —	T ROSCADA MACHO Y HEMBRA	1
3	83-1290	MANÓMETRO, 150 PSI	1
4	VA-542	VÁLVULA ESFÉRICA	1

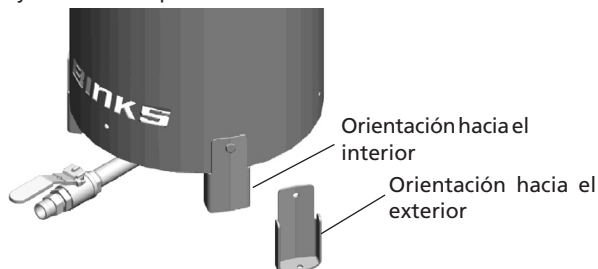
•Se vende localmente.

KIT DE SALIDA INFERIOR

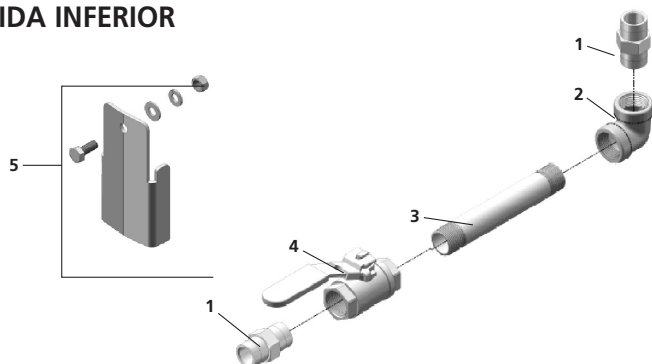
KIT DE SALIDA INFERIOR CON PATAS

Permite la conversión del tanque de salida superior estándar a salida inferior. Todas las piezas mojadas de la salida inferior son de acero inoxidable.

183-3001 para tanques de 5, 10 y 15 gal. c/salida inferior de 3/4". Incluye tres kits de patas 183-3005.



Las patas se pueden orientar hacia adentro o hacia afuera para proporcionar flexibilidad en el montaje.



ART. NO.	PIEZA NO.	DESCRIPCIÓN	CANT.
1	—	ADAPTADOR, 3/4 NPT-NPS UNIVERSAL	2
2	—	CODO, 3/4 NPT (F)	1
3	—	BOQUILLA DE TUBO	1
4	—	VÁLVULA ESFÉRICA, 3/4 NPT PUERTO COMPLETO	1
5	183-3005	KIT DE PATAS	3

ACCESORIOS

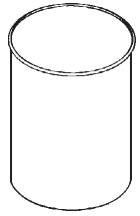
VS-534 FILTRO DE FLUIDO

Filtro de fluido primario que se fija entre la válvula de salida de fluido y la manguera de fluido para filtrar el material. Componentes hechos de acero inoxidable con filtro de nylon. Viene estándar con tamiz de malla 100. Para más información, ver SB-7-072.



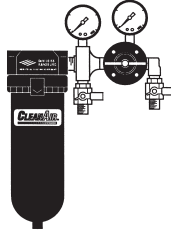
REVESTIMIENTO INTERIOR DESECHABLE DE TANQUE

Los revestimientos interiores de tanque, de polietileno moldeado, reducen el desperdicio de solventes y el tiempo de limpieza del tanque. El revestimiento interior está hecho de polietileno a prueba de filtraciones, duradero y resistente y se puede usar con todos los materiales compatibles.



UNIDADES DE CONTROL HFRL-508, HFRL-509 CLEAN AIR™

Estas unidades están diseñadas para eliminar la suciedad, el sarro en los tubos y la mayoría de los aerosoles líquidos. Incluye un drenaje automático que expulsa los líquidos que se acumulan en la cubeta del filtro.



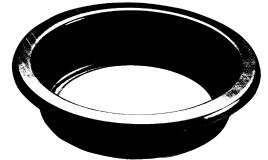
- PTL-408-K20 Kit de 20 revestimientos interiores de tanque (9.8 gal.)
- PTL-412-K8 Kit de 8 revestimientos interiores de tanque (11.8 gal.)
- PTL-415-K10 Kit de 10 revestimientos interiores (19.8 gal.)

FILTROS DE TANQUE A PRESIÓN PROSPECTOR™ PARA TANQUES DE 5, 10 Y 15 GALONES

Los filtros de malla Prospector™ son una forma económica de eliminar las materias foráneas de la pintura, manchas, barnices y revestimientos.

- Diámetro interior11.75" (298.45 mm)
- Diámetro exterior.....15.375" (390.52 mm)
- Alt./Profundidad.....3.75" (95.25 mm)
- Cantidad/caja..... 20

- PTS-5Gal-K20-200..... 200 micrones (aprox. malla de alambre 65)
- PTS-5Gal-K20-400..... 400 micrones (aprox. malla de alambre 37)
- PTS-5Gal-K20-600..... 600 micrones (aprox. malla de alambre 28)



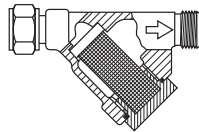
29-3100 SCRUBS® TOALLAS PARA LIMPIARSE LAS MANOS

Scrubs® son toallas para pintores, prehumedecidas para limpiarse las manos. No se necesita agua.



83-2924 "Y" FILTRO DE FLUIDO

Se conecta en la salida de líquido del tanque. Incluye 100 malla del filtro. (Filtro con pantallas de diferentes tamaños de malla están también disponibles.)



POLÍTICA DE GARANTÍAS

Los productos Binks están cubiertos por la garantía limitada de materiales y mano de obra por un año de Finishing Brands. El uso de cualquier pieza o accesorio de una fuente que no sea Finishing Brands, anulará todas las garantías. Para obtener información específica sobre la garantía, favor ponerse en contacto con el local de Finishing Brands más cercano a usted entre los listados a continuación.

Finishing Brands se reserva el derecho de modificar las especificaciones del equipo sin previo aviso. DeVilbiss®, Ransburg®, BGK®, y Binks® son marcas registradas de Carlisle Fluid Technologies, Inc., opera bajo el nombre Finishing Brands. ©2015 Carlisle Fluid Technologies, Inc., opera bajo el nombre Finishing Brands. Reservados todos los derechos.



Binks es parte de Finishing Brands, un líder global en tecnologías de acabados pulverizados innovadores. Para asistencia técnica o para localizar un distribuidor autorizado, póngase en contacto con uno de nuestros centros internacionales de ventas y apoyo al cliente listados a continuación.

EE.UU./Canadá

www.devilbiss.com
info@carlisleleft.com
Teléfono: 1-800-992-4657
Fax: 1-888-246-5732

México

www.carlisleleft.com.mx
ventas@carlisleleft.com.mx
Teléfono: 011 52 55 5321 2300
Fax: 011 52 55 5310 4790

Brasil

www.devilbiss.com.br
vendas@carlisleleft.com.br
Teléfono: +55 11 5641 2776
Fax: 55 11 5641 1256

Reino Unido

www.finishingbrands.eu
info@carlisleleft.eu
Teléfono: +44 (0)1202 571 111
Fax: +44 (0)1202 573 488

Francia

www.finishingbrands.eu
info@carlisleleft.eu
Teléfono: +33(0)475 75 27 00
Fax: +33(0)475 75 27 59

Alemania

www.finishingbrands.eu
info@carlisleleft.eu
Teléfono: +49 (0) 6074 403 1
Fax: +49 (0) 6074 403 281

China

www.finishingbrands.com.cn
mkt@carlisleleft.com.cn
Teléfono: +8621-3373 0108
Fax: +8621-3373 0308

Japón

www.ransburg.co.jp
overseas-sales@carlisleleft.co.jp
Teléfono: 081 45 785 6421
Fax: 081 45 785 6517

Australia

www.finishingbrands.com.au
sales@carlisleleft.com.au
Teléfono: +61 (0) 2 8525 7555
Fax: +61 (0) 2 8525 7500



DeVilbiss Automotive Refinishing es parte de Finishing Brands, un líder global en tecnologías de acabados pulverizados innovadores. Para asistencia técnica o para localizar un distribuidor autorizado, póngase en contacto con uno de nuestros centros internacionales de ventas y apoyo al cliente listados a continuación.

USA/Canada

www.autorefinishdevilbiss.com
askus@carlisleleft.com
Tel gratuito: 1-800-445-3988
Fax gratuito: 1-800-445-6643

México

www.autorefinishdevilbiss.com.mx
Tel gratuito: 1-888-835-6232 USA

