



WB3000 Isolation System & Pro Xp™ 60 AA WB Gun

3A2497B
EN

Air-assisted spray system for use when electrostatically spraying conductive, waterborne fluids that meet at least one of the conditions for non-flammability listed on page 3.
For professional use only.



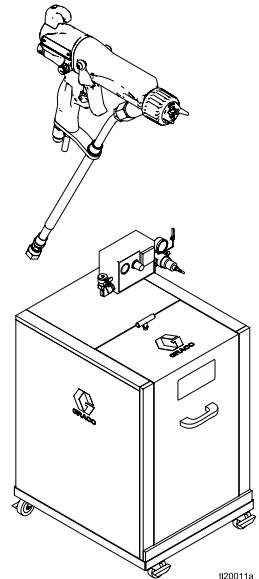
Important Safety Instructions

Read all warnings and instructions in this manual. **Save these instructions.**

3000 psi (21 MPa, 210 bar) Maximum
Fluid Working Pressure

100 psi (0.7 MPa, 7 bar) Maximum
Air Working Pressure

See page 3 for model part numbers
and approval information.




020011a

Contents

Models.....	3	Repair.....	47
Warnings	4	Prepare the Gun for Service	47
Gun Overview	7	Air Cap, Spray Tip, and Fluid Seat Housing	
How the Electrostatic AA Spray Gun		Replacement.....	48
Works.....	7	Electrode Replacement	49
Spraying Waterborne Fluids		Gun Barrel Removal.....	50
Electrostatically	7	Gun Barrel Installation.....	50
Controls, Indicators, and Components	8	Fluid Needle Replacement.....	51
Smart Guns	9	Power Supply Removal and	
Installation.....	15	Replacement.....	52
System Requirements	15	Alternator Removal and Replacement	53
Warning Sign.....	15	Fan Air Adjustment Valve Repair	55
Install the System.....	15	Atomizing Air Adjustment Valve	
Ventilate the Spray Booth	15	Repair.....	55
Air Supply Line	16	ES On-Off Valve Repair	56
Ground the Cabinet.....	16	Air Valve Repair.....	57
Connect the Waterborne Fluid Hose.....	17	Smart Module Replacement.....	58
Agitator Kit Accessory	20	Air Swivel and Exhaust Valve	
Gun Setup.....	21	Replacement.....	59
Grounding	21	Parts.....	60
Check Gun Electrical Grounding	23	Standard Air-Assisted Spray Gun	
Flush Before Using Equipment.....	24	Assembly	60
Operation.....	25	Smart Air-Assisted Spray Gun	
Operating Checklist.....	25	Assembly	62
Fluid Voltage Discharge and Grounding		Isolation Enclosure.....	64
Procedure	25	Alternator Assembly	67
Pressure Relief Procedure.....	26	ES On-Off Valve Assembly.....	68
Fill the Fluid Supply.....	27	Fan Air Valve Assembly	69
Adjust the Spray Pattern.....	28	Air Cap Assembly	70
Shutdown	30	Smart Module Assembly.....	70
Maintenance	31	Spray Tip Selection Chart.....	71
Flushing	31	AEM Fine Finish Spray Tips.....	71
Clean the Gun Daily	33	AEF Fine Finish Pre-Orifice Spray	
Daily System Care	35	Tips	72
Electrical Tests	36	Repair Kits, Related Manuals, and	
Test Gun Resistance.....	36	Accessories	73
Test Power Supply Resistance	37	Gun Accessories.....	73
Test Gun Barrel Resistance	38	Operator Accessories.....	73
Test Ground Strip Resistance	39	System Accessories.....	73
Test Cylinder Resistance.....	39	Hoses	74
Troubleshooting.....	40	Test Equipment	74
Voltage Loss Troubleshooting.....	40	245895 Agitator Kit	75
Spray Pattern Troubleshooting.....	43	Dimensions	76
Gun Operation Troubleshooting.....	44	Technical Data	77
Electrical Troubleshooting	45	Graco Pro Xp Warranty.....	78

Models




Models which are FM Approved and Compliant with EN50059


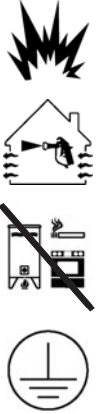


		<p>FM approved for use with fluids that meet the following condition:</p> <ul style="list-style-type: none"> Material does not sustain burning in accordance with the Standard Test Method for Sustained Burning of Liquid Mixtures, ASTM D4206.
<p>0.35 J, with 24M508 Hose FM12ATEX0080 EN 50059 Ta 0°C – 50°C</p>		<p>Models Compliant with EN 50059 when used with fluids that meet the following criteria:</p> <ul style="list-style-type: none"> Materials which cannot be ignited, in any mixture with air, by an energy source of less than 500 mJ.
Part No.	Model	Description
24N551	WB3000	Waterborne Isolation Enclosure 24N550 with standard electrostatic air-assisted spray gun H60T18, grounded air hose 235070, and unshielded waterborne fluid hose 24M508.
24P632	WB3000	Waterborne Isolation Enclosure 24N550 with smart electrostatic air-assisted spray gun H60M18, grounded air hose 235070, and unshielded waterborne fluid hose 24M508.
24N550	WB3000	Waterborne Isolation Enclosure for unshielded hoses. Does not include hoses and gun.
H60T18	Pro Xp 60 AA WB	Standard Electrostatic Air-assisted Spray Gun, for waterborne coatings.
H60M18	Pro Xp 60 AA WB	Smart Electrostatic Air-assisted Spray Gun, for waterborne coatings.
24M508	- - -	Unshielded Waterborne Fluid Hose Assembly, 25 ft (7.6 m).








Warnings

The following warnings are for the setup, use, grounding, maintenance and repair of this equipment. The exclamation point symbol alerts you to a general warning and the hazard symbol refers to procedure-specific risks. When these symbols appear in the body of this manual or on warning labels, refer back to these Warnings. Product-specific hazard symbols and warnings not covered in this section may appear throughout the body of this manual where applicable.

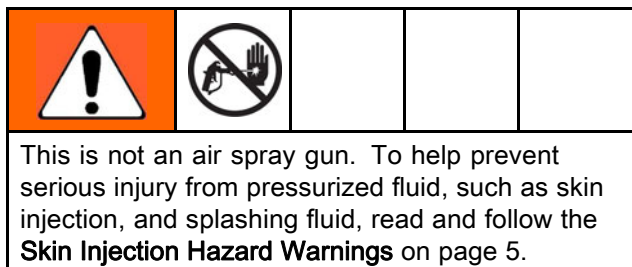
 WARNING	
 	<p>ELECTRIC SHOCK HAZARD</p> <p>Improper grounding, setup, or usage of an isolated waterborne system can result in electric shock. To help prevent electric shock:</p> <ul style="list-style-type: none">• Ground all equipment, personnel, object being sprayed, and conductive objects in or close to spray area. See Grounding instructions.• Connect the electrostatic gun to a voltage isolation system that will discharge the system voltage when not in use.• All components of the isolation system that are charged to high voltage must be contained within an isolation enclosure that prevents personnel from making contact with the high voltage components before the system voltage is discharged.• Follow the Fluid Voltage Discharge and Grounding Procedure when instructed to discharge the voltage; before cleaning, flushing, or servicing the system; before approaching the front of the gun; and before opening the isolation enclosure for the isolated fluid supply.• Do not enter a high voltage or hazardous area until all high voltage equipment has been discharged.• Do not touch the gun nozzle or electrode, or come within 4 in. (102 mm) of the electrode during gun operation. Follow the Fluid Voltage Discharge and Grounding Procedure.• Interlock the gun air supply with the voltage isolation system to shut off the air supply anytime the isolation system enclosure is opened.• Only use the red-colored Graco electrically conductive gun air hose with this gun. Do not use black or gray-colored Graco air hoses.• Do not splice hoses together. Install only one continuous Graco waterborne fluid hose between the isolated fluid supply and the spray gun.

 <h1 style="margin: 0;">WARNING</h1>	
	<p>FIRE AND EXPLOSION HAZARD</p> <p>Combustible dust in work area can ignite or explode. To help prevent fire and explosion:</p> <ul style="list-style-type: none"> • Fluids used must meet the following flammability requirements: <ul style="list-style-type: none"> • FM, FMc Approved: Material does not sustain burning in accordance with the Standard Test Method for Sustained Burning of Liquid Mixtures, ASTM D4206. • CE-EN 50059 Compliant: Materials which cannot be ignited, in any mixture with air, by an energy source of less than 500mJ. • Stop operation immediately if static sparking occurs or you feel a shock. Do not use equipment until you identify and correct the problem. • Check gun resistance, hose resistance, and electrical grounding daily. • Use and clean equipment only in well ventilated area. • Interlock the gun air supply to prevent operation unless ventilating fans are on. • Only use non-flammable solvents when flushing or cleaning equipment. • Always turn the electrostatics off when flushing, cleaning or servicing equipment. • Eliminate all ignition sources; such as pilot lights, cigarettes, portable electric lamps, and plastic drop cloths (potential static arc). • Do not plug or unplug power cords or turn lights on or off when flammable fumes are present. • Keep spray area free of debris, including solvent, rags and gasoline. • Keep a working fire extinguisher in the work area.
	<p>SKIN INJECTION HAZARD</p> <p>High-pressure fluid from gun, hose leaks, or ruptured components will pierce skin. This may look like just a cut, but it is a serious injury that can result in amputation. Get immediate surgical treatment.</p> <ul style="list-style-type: none"> • Do not spray without tip guard and trigger guard installed. • Engage trigger lock when not spraying. • Do not point gun at anyone or at any part of the body. • Do not put your hand over the spray tip. • Do not stop or deflect leaks with your hand, body, glove, or rag. • Follow the Pressure Relief Procedure when you stop spraying and before cleaning, checking, or servicing equipment. • Tighten all fluid connections before operating the equipment. • Check hoses and couplings daily. Replace worn or damaged parts immediately.
	<p>PLASTIC PARTS CLEANING SOLVENT HAZARD</p> <p>Many solvents can degrade plastic parts and cause them to fail, which could cause serious injury or property damage.</p> <ul style="list-style-type: none"> • Use only compatible water-based solvents to clean plastic structural or pressure-containing parts. • See Technical Data in this and all other equipment instruction manuals. Read fluid and solvent manufacturer's MSDSs and recommendations.

 <h1 style="margin: 0;">WARNING</h1>	
	<p>TOXIC FLUID OR FUMES Toxic fluids or fumes can cause serious injury or death if splashed in the eyes or on skin, inhaled, or swallowed.</p> <ul style="list-style-type: none"> • Read MSDSs to know the specific hazards of the fluids you are using. • Store hazardous fluid in approved containers, and dispose of it according to applicable guidelines.
	<p>PERSONAL PROTECTIVE EQUIPMENT Wear appropriate protective equipment when in the work area to help prevent serious injury, including eye injury, hearing loss, inhalation of toxic fumes, and burns. This protective equipment includes but is not limited to:</p> <ul style="list-style-type: none"> • Protective eyewear, and hearing protection. • Respirators, protective clothing, and gloves as recommended by the fluid and solvent manufacturer.
 	<p>EQUIPMENT MISUSE HAZARD Misuse can cause death or serious injury.</p> <ul style="list-style-type: none"> • Do not operate the unit when fatigued or under the influence of drugs or alcohol. • Do not exceed the maximum working pressure or temperature rating of the lowest rated system component. See Technical Data in all equipment manuals. • Use fluids and solvents that are compatible with equipment wetted parts. See Technical Data in all equipment manuals. Read fluid and solvent manufacturer's warnings. For complete information about your material, request MSDS from distributor or retailer. • Do not leave the work area while equipment is energized or under pressure. • Turn off all equipment and follow the Pressure Relief Procedure when equipment is not in use. • Check equipment daily. Repair or replace worn or damaged parts immediately with genuine manufacturer's replacement parts only. • Do not alter or modify equipment. Alterations or modifications may void agency approvals and create safety hazards. • Make sure all equipment is rated and approved for the environment in which you are using it. • Use equipment only for its intended purpose. Call your distributor for information. • Route hoses and cables away from traffic areas, sharp edges, moving parts, and hot surfaces. • Do not kink or over bend hoses or use hoses to pull equipment. • Keep children and animals away from work area. • Comply with all applicable safety regulations.

Gun Overview

How the Electrostatic AA Spray Gun Works



The air-assisted spray gun combines airless and air spraying concepts. The spray tip atomizes and shapes the fluid into a fan pattern, as does a conventional airless spray tip. Air from the air cap further atomizes the fluid and completes the atomization of the fluid tails to produce a uniform pattern.

As the gun is triggered, part of the regulated air operates the alternator turbine and the rest of the air helps atomize the fluid being sprayed. The alternator generates power, which is converted by the power cartridge to supply high voltage to the gun's electrode.

The gun's internal power supply provides high voltage. The fluid is electrostatically charged as it passes the electrode. The charged fluid is attracted to the grounded workpiece, wrapping around and evenly coating all surfaces.

The regulated air that is directed to the air cap can be further controlled using the gun's atomizing air adjustment valve. This valve can be used to restrict air flow to the air cap while maintaining sufficient air flow to the alternator. The atomizing air adjustment valve does not control pattern width. To change pattern width, use a new tip size, or use the fan adjustment to narrow the pattern width.

The high working fluid pressure of this gun provides the power needed to atomize higher solids materials.

NOTE: For airless atomization, if desired, turn the gun's atomizing air adjustment valve completely off. Closing this valve does not affect alternator operation.

Spraying Waterborne Fluids Electrostatically

This electrostatic air-assisted spray gun is designed to spray **only** waterborne fluids which meet the following flammability requirements:

- **FM, FMc Approved:**
Material does not sustain burning in accordance with the Standard Test Method for Sustained Burning of Liquid Mixtures, ASTM D4206.
- **CE-EN 50059 Compliant:**
Materials which cannot be ignited, in any mixture with air, by an energy source of less than 500mJ.

When connected to a voltage isolation system, all of the fluid in the spray gun, fluid hose, and isolated fluid supply is charged to high voltage, which means that the system has more electrical energy than a solvent-based system. Therefore, only non-flammable fluids (as defined under [Models, page 3](#)) can be sprayed with the system or be used to clean, flush, or purge the system.

Precautions must be taken when using electrostatic waterborne equipment to avoid potential shock hazards. When the spray gun charges the isolated fluid to high voltage, it is similar to charging a capacitor or a battery. The system will store some of the energy while spraying and retain some of that energy after the spray gun is shut off. Do not touch the gun nozzle or come within 4 in. (102 mm) of the electrode until the stored energy is discharged. The amount of time it takes to discharge the energy depends on the system design. Follow the [Fluid Voltage Discharge and Grounding Procedure, page 25](#) before approaching the front of the gun.

The Graco warranty and approvals are void if the electrostatic spray gun is connected to a non-Graco voltage isolation system or if the gun is operated above 60 kV.

Controls, Indicators, and Components

The electrostatic gun includes the following controls, indicators, and components (see Fig. 1). For information on Smart guns, also see [Smart Guns, page 9](#).

Item	Description	Purpose
A	Air Swivel Inlet	1/4 npsm(m) left-hand thread, for Graco red-colored grounded air supply hose.
B	Fluid Hose	Graco waterborne fluid hose
C	Turbine Air Exhaust	Barbed fitting, for supplied exhaust tube.
D	Air Cap/Tip Guard and Spray Tip	See Spray Tip Selection Chart, page 71 , for available sizes.
E	Electrode	Supplies electrostatic charge to the fluid.

Item	Description	Purpose
F	Fan Air Adjustment Valve	Adjusts fan size and shape. Can be used to decrease pattern width.
G	Atomizing Air Adjustment Valve	Adjusts atomizing air flow.
H	Trigger Safety Lock	Locks trigger to prevent gun from spraying.
J	ES On-Off Valve	Turns electrostatics ON (I) or OFF (O).
K	ES Indicator (standard gun only; for Smart gun indicator, see Operating Mode, page 9)	Lit when ES is ON (I). Color indicates alternator frequency. See the LED indicator table on page 30.

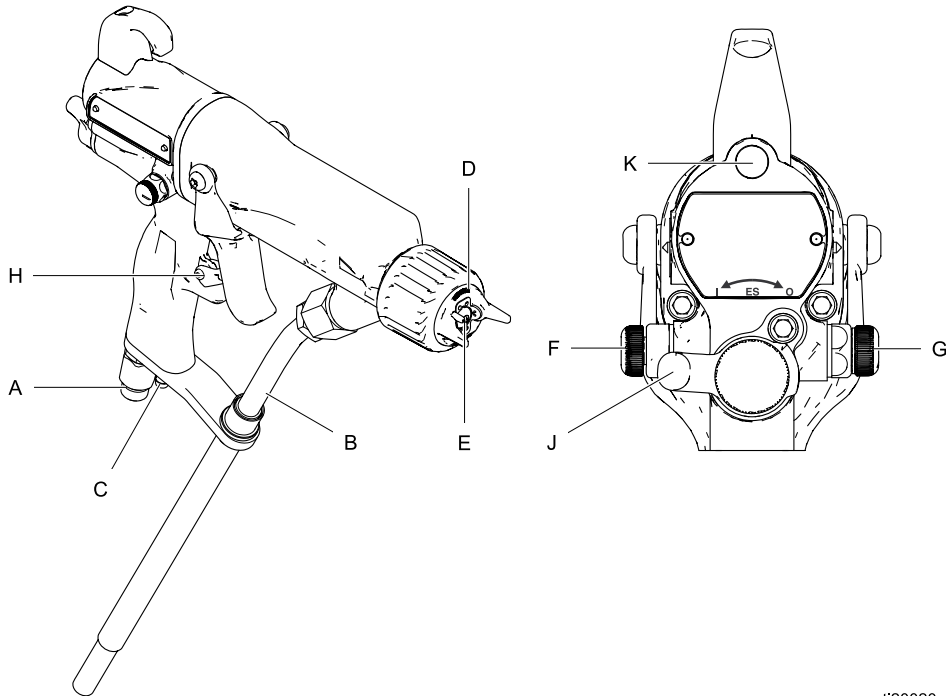


Figure 1 Gun Overview

ii20020a

Smart Guns

The Smart Gun module displays spraying voltage, current, alternator speed, and the voltage setting (low or high). It also allows the user to change to a lower spraying voltage. The module has two modes:

- Operating Mode
- Diagnostic Mode

Operating Mode

Bar Graph

See Fig. 2, and Table 1 on page 11. The Operating Mode displays gun data during normal spraying. The display uses a bar graph to show the voltage level in kiloVolts (kV) and the current level in microAmperes (μ A). The bar graph range is from 0 to 100% for each value.

If the μ A bar graph LEDs are blue, the gun is ready to spray. If the LEDs are yellow or red, the current is too high. See [Electrical Troubleshooting, page 45](#).

Hz Indicator

The Hz indicator functions the same as the ES indicator on standard guns. The indicator lights to show the alternator speed status, and has three colors:

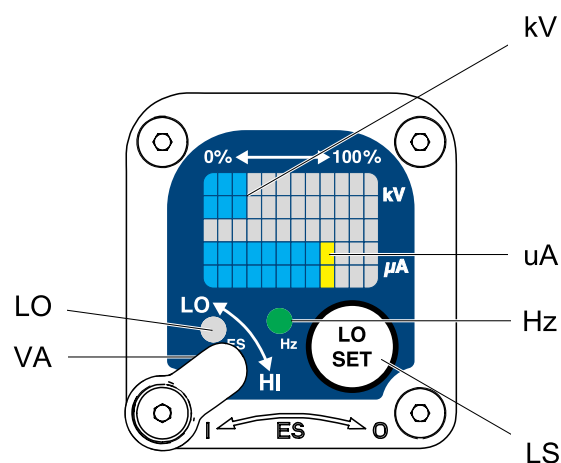
- Green indicates the alternator speed is correct.
- If the indicator changes to amber after 1 second, increase the air pressure.
- If the indicator changes to red after 1 second, reduce the air pressure.

Voltage Adjustment Switch

The voltage adjustment switch (VA) allows the operator to change from low to high voltage.

- The high voltage setting is determined by the maximum voltage of the gun and is not adjustable.
- The low voltage indicator (LO) lights when the switch is set to LO. The low voltage setting is user adjustable. See [Adjusting the Low Voltage Setting, page 10](#).

NOTE: If the Error display appears, the Smart module has lost communication with the power supply. See [Error Display, page 10](#) for further information.



ti19121a

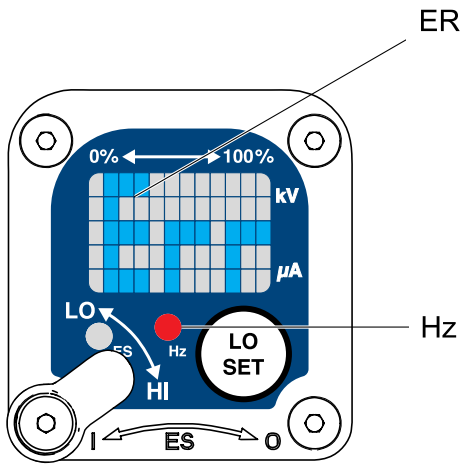
Figure 2 Smart Gun Module in Operating Mode

Error Display

If the Smart module loses communication with the power supply, the Error display appears, the Hz indicator turns red, and the Smart module is disabled. See Fig. 3, and Table 1 on page 11. This can occur in Operating Mode or Diagnostic Mode. See [Electrical Troubleshooting, page 45](#). Communication must be restored to make the Smart module functional.

NOTE: It takes 8 seconds for the Error display to appear. If the gun has been disassembled, wait 8 seconds before spraying to ensure that an Error condition has not occurred.

NOTE: If there is no power to the gun, the Error display will not appear.



ti19338a

Figure 3 Error Display

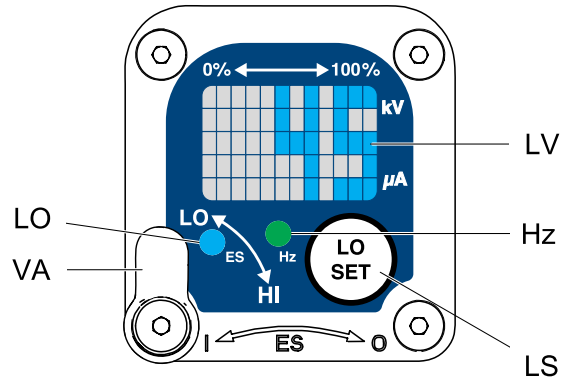
Adjusting the Low Voltage Setting

The low voltage setting is user adjustable. To access the low voltage setting screen when in Operating Mode, press the LO SET button (LS) momentarily. The screen will display the current low voltage setting. See Fig. 4, and Table 1 on page 11. The range is 30–60 kV.

Set the Voltage Adjustment switch (VA) to LO. Press the LO SET button repeatedly to increase the setting in increments of 5. When the display reaches the maximum setting (60 kV) it will return to the minimum setting (30 kV). Continue pressing the button until you reach the desired setting.

NOTE: After 2 seconds of inactivity the display will return to the Operating Screen.

NOTE: The low voltage setting may be locked. See [Lock Symbol, page 10](#).



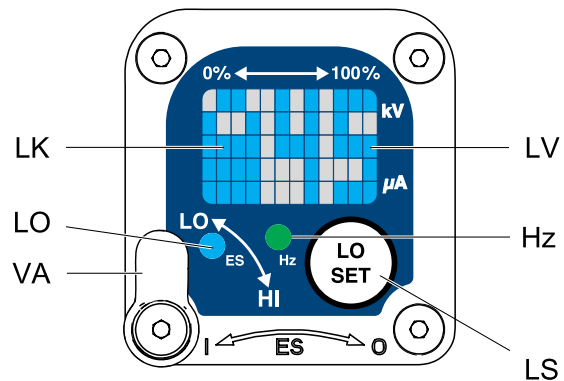
ti19122a

Figure 4 Low Voltage Setting Screen (Unlocked)

Lock Symbol

The low voltage setting may be locked. When locked, an image (LK) appears on the screen. See Fig. 5, and Table 1 on page 11.

- When in HI mode, the low voltage setting is **always** locked. The lock symbol will appear when the LO SET button is pressed.
- When in LO mode, the lock symbol will **only** appear if the lock is enabled. See [Low Voltage Lock Screen, page 14](#), to lock or unlock the low voltage setting.



ti19337a

Figure 5 Low Voltage Setting Screen (Locked)

Table 1 . Key for Figs. 2–9.

Item	Description	Purpose
VA	Voltage Adjustment Switch	Two-position switch sets smart gun voltage to low setting (LO) or high setting (HI). This switch is functional in Operating Mode and in Diagnostic Mode.
LO	Low Voltage Mode Indicator	Lights (blue) when the smart gun is set to Low Voltage.
kV	Voltage (kV) Display	Displays actual spraying voltage of the gun, in kV. In Operating Mode, display is a bar graph. In Diagnostic Mode, voltage is displayed as a number.
uA	Current (uA) Display	Displays actual spraying current of the gun, in uA. In Operating Mode, display is a bar graph. In Diagnostic Mode, current is displayed as a number.
LS	LO SET button	<p>Press momentarily to enter the Low Voltage Setting screen.</p> <p>Press and hold for approximately 5 seconds to enter or exit Diagnostic Mode.</p> <p>While in Diagnostic Mode, press momentarily to advance through screens.</p> <p>While on the Low Voltage Lock Screen (in Diagnostic Mode), press and hold to turn the lock on or off.</p>
LV	Low Voltage Display	Displays the low voltage setting as a number. The setting can be changed. See Fig. 4.
LK	Low Voltage Locked	Appears if the low voltage setting is locked. See Fig. 5 and Fig. 9.
LD	Lo Display	Appears on the Low Voltage Lock Screen. See Fig. 9.
ER	Error Display	Appears if the Smart module loses communication with the power supply. See Fig. 3.
VI	Voltage Indicator	In Diagnostic Mode, the two top right LEDs of the screen light, indicating that the value displayed is in kV. See Fig. 6.

Item	Description	Purpose
CI	Current Indicator	In Diagnostic Mode, the two bottom right LEDs of the screen light, indicating that the value displayed is in uA. See Fig. 7.
AS	Alternator Speed Display	In Diagnostic Mode, Hz level is displayed as a number. See Fig. 8.
Hz	Alternator Speed Indicator	<p>In Operating Mode, indicator color varies to show the alternator speed status:</p> <ul style="list-style-type: none"> • green indicates the alternator speed is at the correct level. • If the indicator changes to amber after 1 second, the alternator speed is too low. • If the indicator changes to red after 1 second, the alternator speed is too high. The indicator will also turn red if the Error display appears. <p>In Diagnostic Mode, the indicator is green when in the Alternator Speed (Hertz) screen.</p>

Diagnostic Mode

Diagnostic Mode includes four screens which display gun data:

- Voltage (kiloVolts) Screen
- Current (microAmperes) Screen
- Alternator Speed (Hertz) Screen
- Low Voltage Lock Screen

NOTE: You must be in Operating Mode to adjust the low voltage setting; the setting is not adjustable in Diagnostic Mode. However, the voltage adjustment switch (VA) can be set to HI or LO in Operating Mode and Diagnostic Mode.

To enter Diagnostic Mode, press and hold the LO SET (LS) button for approximately 5 seconds. The display will go to the [Voltage \(kiloVolts\) Screen, page 13](#).

To advance to the next screen, press the LO SET button again.

To exit Diagnostic Mode, press and hold the LO SET button for approximately 5 seconds. The screen will return to Operating Mode.

NOTE: If the gun is detripped while in Diagnostic Mode, the last screen viewed will be displayed when the gun is retriggered.

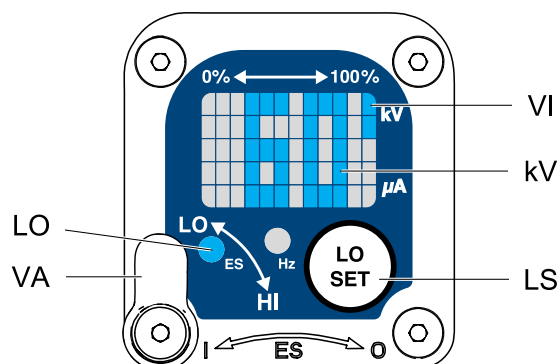
NOTE: Diagnostic Mode cannot be exited from the Low Voltage Lock Screen. See [Low Voltage Lock Screen, page 14](#) for details.

Voltage (kiloVolts) Screen

The Voltage (kiloVolts) Screen is the first screen to appear after entering Diagnostic Mode. See Fig. 6, and Table 1 on page 11. To enter this screen, press and hold the LO SET button for approximately 5 seconds while in the Operating Mode.

This screen displays the spraying voltage of the gun as a number (kV), rounded to the nearest 5 kV. The two top right LEDs (VI) of the display panel light, indicating that the Voltage (kiloVolts) Screen is displayed. The display is a readout and cannot be changed.

Press the LO SET button to advance to the [Current \(microAmperes\) Screen, page 13](#). Press and hold for approximately 5 seconds to return to Operating Mode.



ti19123a

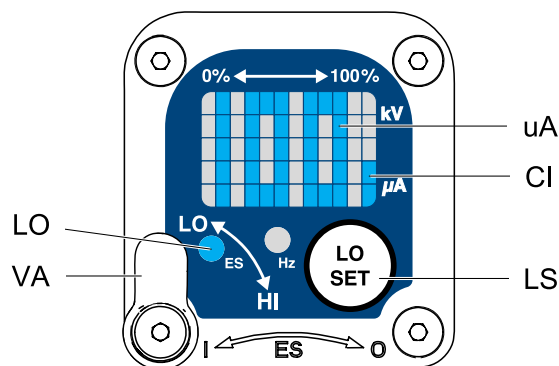
Figure 6 Voltage (kiloVolts) Screen

Current (microAmperes) Screen

The Current (microAmperes) Screen is the second screen in the Diagnostic Mode. See Fig. 7, and Table 1 on page 11. To enter this screen, press the LO SET button while in the Voltage (kiloVolts) Screen.

This screen displays the spraying current of the gun as a number (uA), rounded to the nearest 5 uA. The two bottom right LEDs (CI) of the display panel light, indicating that the Current (microAmperes) Screen is displayed. The display is a readout and cannot be changed.

Press the LO SET button to advance to the [Alternator Speed \(Hertz\) Screen, page 14](#). Press and hold for approximately 5 seconds to return to Operating Mode.



ti19124a

Figure 7 Current (microAmperes) Screen

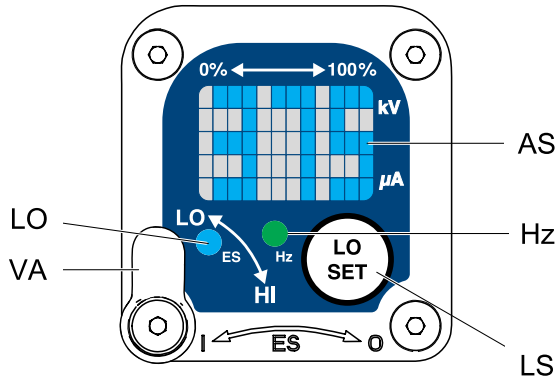
Alternator Speed (Hertz) Screen

The Alternator Speed (Hertz) Screen is the third screen in the Diagnostic Mode. See Fig. 8, and Table 1 on page 11. To enter this screen, press the LO SET button while in the Current (microAmperes) Screen.

This screen displays the alternator speed as a 3 digit number (AS), rounded to the nearest 5 Hz. The display is a readout and cannot be changed. If the alternator speed is greater than 999 Hz, the display will show 999.

The Hz indicator lights green to show that you are viewing the Alternator Speed (Hertz) Screen.

Press the LO SET button to advance to the [Low Voltage Lock Screen, page 14](#). Press and hold for approximately 5 seconds to return to Operating Mode.



ti19125a

Figure 8 Alternator Speed (Hertz) Screen

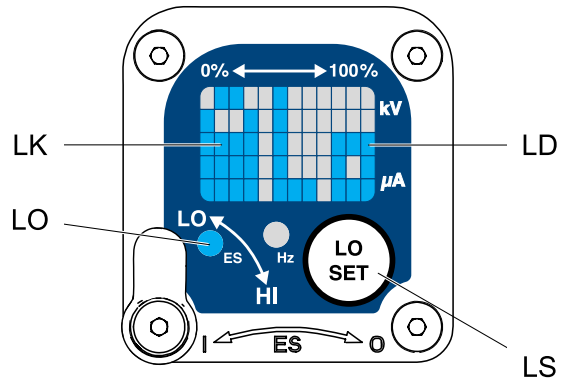
Low Voltage Lock Screen

The Low Voltage Lock Screen is the fourth screen in the Diagnostic Mode. See Fig. 9, and Table 1 on page 11. To enter this screen, press the LO SET button while in the Alternator Speed (Hertz) Screen.

This screen displays the status of the Low Voltage Lock. If the setting is locked, the lock image (LK) appears to the left of the Lo display (LD). If the setting is unlocked, the lock image does not appear.

To change the lock status, press and hold the LO SET button until the lock image appears or disappears. If the lock is set, the image will also appear on the Low Voltage Setting Screen when in low voltage mode (see Fig. 4).

NOTE: Diagnostic Mode cannot be exited from this screen, because pressing and holding the LO SET button is used to turn the lock on or off. To exit, press LO SET momentarily to return to the Voltage (kiloVolts) Screen, then exit Diagnostic Mode from there.



ti19339a

Figure 9 Low Voltage Lock Screen

Installation

System Requirements

A Graco voltage isolation system must have the following features:

- An isolation enclosure that prevents persons from making contact with the high voltage components before the system voltage is discharged. All components of the isolation system that are charged to high voltage must be contained within the enclosure.
- A bleed resistor to drain off the system voltage when the spray gun is not in use. A metal part of the fluid supply unit must be electrically connected to the bleed resistor.
- A safety interlock that automatically discharges the system voltage when anyone opens the isolation enclosure.

NOTICE
The system should not have any severe arcing occurring when the isolation mechanism opens and closes. Severe arcing will shorten the life of the system components.

NOTE: The Graco warranty and approvals are void if the electrostatic spray gun is connected to a non-Graco voltage isolation system or if the gun is operated above 60 kV.

Warning Sign




Mount warning signs in the spray area where they can easily be seen and read by all operators. An English Warning Sign is provided with the gun.

Install the System

				
<p>Installing and servicing this equipment requires access to parts which may cause electric shock or other serious injury if work is not performed properly.</p> <ul style="list-style-type: none"> • Do not install or service this equipment unless you are trained and qualified. • Be sure your installation complies with local, state, and national codes for the installation of electrical apparatus in a Class I, Div. I Hazardous Location or Group II, Zone I Explosive Atmosphere Location. • Comply with all applicable local, state, and national fire, electrical, and other safety regulations. 				

Fig. 12 shows a typical electrostatic air-assisted spray system. It is not an actual system design. For assistance in designing a system to suit your particular needs, contact your Graco distributor.

Ventilate the Spray Booth



				
<p>Provide fresh air ventilation to reduce the risk of fire or explosion caused by the buildup of flammable or toxic vapors when spraying, flushing, or cleaning the gun. Do not operate the gun unless ventilation fans are operating.</p>				

Check and follow all local, state, and national codes regarding air exhaust velocity requirements.




High velocity air exhaust will decrease the operating efficiency of the electrostatic system. The minimum allowable air exhaust velocity is 60 linear ft/min (18.3 linear meters/minute).

Air Supply Line

1. See Fig. 12. Install an air line filter/water separator (M) on the main air supply line to ensure a dry, clean air supply to the gun. Dirt and moisture can ruin the appearance of your finished workpiece and can cause the gun to malfunction.
2. The WB3000 system includes a bleed-type air regulator (N) on the gun air supply line (P), to control air pressure to the gun.

				
<p>To reduce the risk of electric shock or other serious injury, you must use the red-colored Graco Electrically Conductive Air Hose for the gun air supply, and you must connect the hose ground wire to a true earth ground. Do not use the black or gray-colored Graco air hoses.</p>				

3. Connect the red-colored Graco Electrically Conductive Air Hose (P) between the gun air regulator (N) and the gun's air inlet. The gun air inlet fitting has a left-hand thread. Connect the air supply hose ground wire (Q) to a true earth ground.

				
<p>Trapped air can cause the fluid supply unit to cycle unexpectedly, which can result in serious injury, including splashing fluid in the eyes or on the skin. Do not operate the equipment without the bleed-type air valve (B) installed.</p>				

4. The WB3000 system includes a bleed-type air valve (B). The bleed-type air valve is required to shut off all air to the system and relieve air trapped between the valve and the fluid supply unit after the air regulator is shut off. Connect the main air supply line (A) to the bleed valve.
5. Install an additional bleed-type air valve (CC) upstream of the air filter (M) to isolate the filter for servicing.



Ground the Cabinet

Connect the main ground wire (V) to a true earth ground.

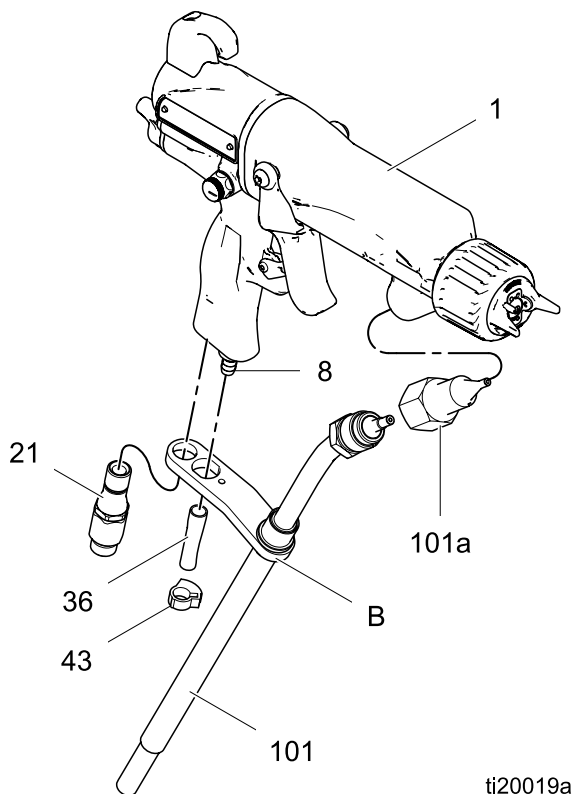
Connect the Waterborne Fluid Hose

Always use a Graco waterborne fluid hose between the voltage isolation system fluid outlet and the gun fluid inlet.

Before connecting the waterborne fluid hose to the gun, blow it out with air and flush with water to remove contaminants. Flush the gun before using it.

				
<p>To reduce the risk of electric shock, install only one continuous Graco waterborne hose between the isolated fluid supply and the gun. Do not splice hoses together.</p>				

1. Remove the gun air inlet fitting (21).

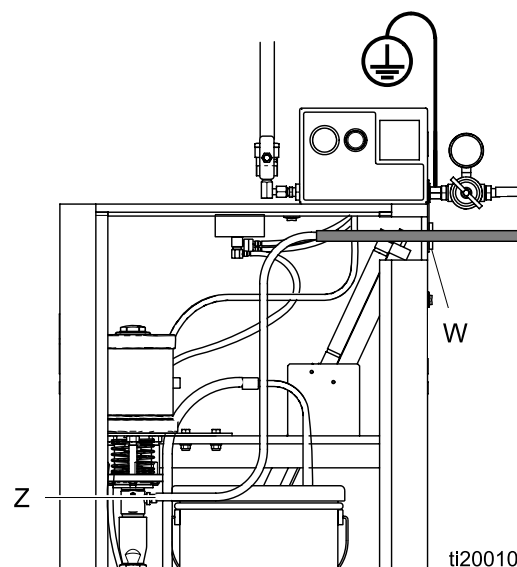


ti20019a

Figure 10 Connect the Fluid Hose

2. Make sure the barrel fluid inlet is clean and dry. Apply dielectric grease to the threads of the barrel connector (101a) and screw it into the fluid inlet.
3. Apply dielectric grease to the threads of the hose (101) and screw it into the barrel connector (101a).
4. Align the bracket (B) holes with the air inlet and exhaust outlet. Secure with the air inlet fitting (21).
5. Press the exhaust tube (35) onto the exhaust valve. Secure with the clamp (36).
6. Slide the other end of the hose through the hole in the side of the isolated enclosure. Connect the swivel (Z) to the fluid outlet of the pump. Secure the hose to the side of the enclosure with the bracket (W).

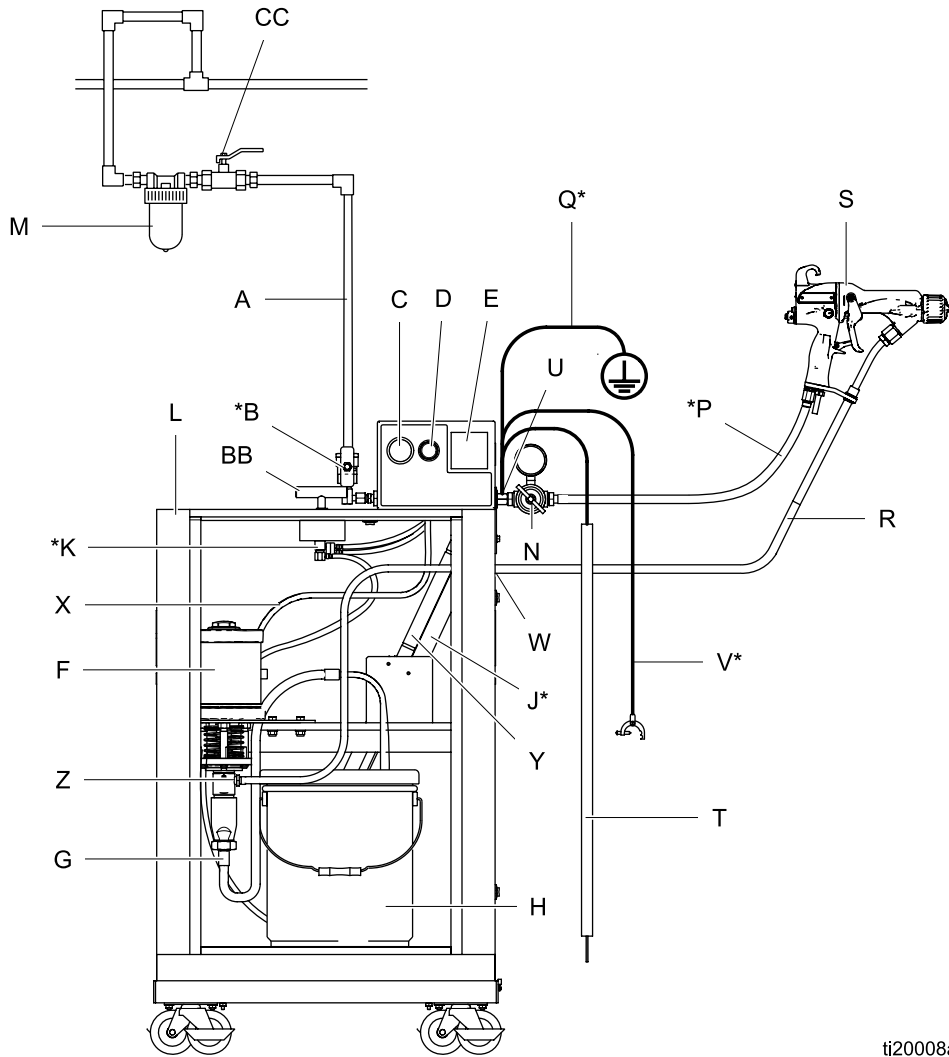
NOTE: The Graco warranty and approvals are void if the electrostatic spray gun is connected to a non-Graco voltage isolation system or if the gun is operated above 60 kV.



ti20010a

Figure 11 Unshielded Hose 24M508 Connection at WB3000 Enclosure

Installation



ti20008a

Figure 12 Typical Installation, Pro Xp Waterborne System

Typical Installation Key

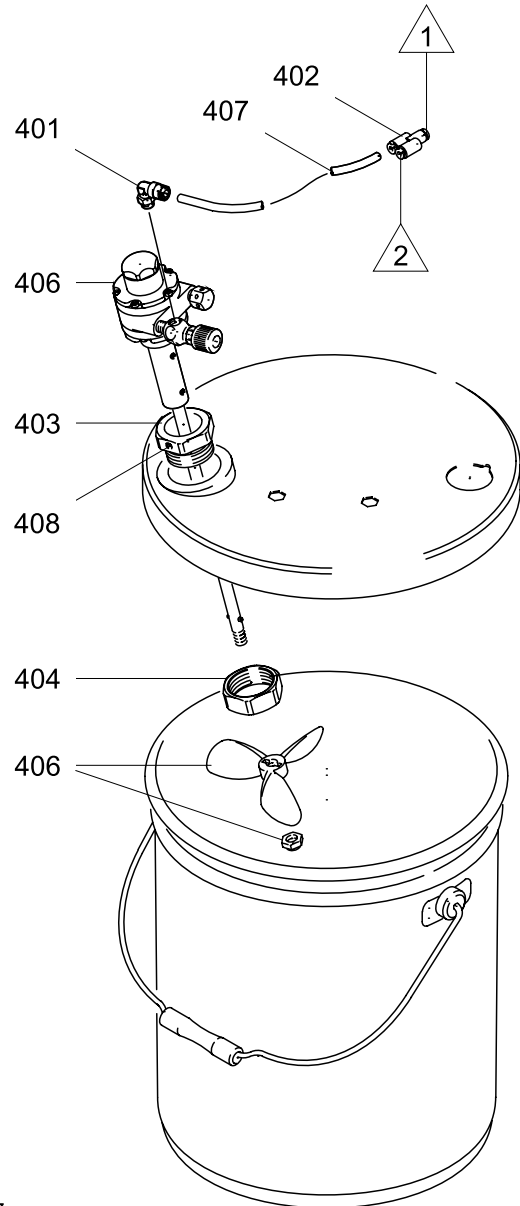
Item	Description
A	Main Air Supply Line
B*	Bleed-Type Air Shutoff Valve
C	Pump Air Pressure Gauge
D	Pump Air Pressure Regulator
E	kV Meter
F	Pump
G	Pump Suction Hose
H	Paint Container
J*	Bleed Resistor
K*	Enclosure Safety Interlock
L	Isolated Enclosure
M	Gun Air Line Filter
N	Gun Air Pressure Regulator
P*	Graco Red Grounded Air Hose (left-hand threads)
Q*	Gun Air Hose Ground Wire
R	Graco Waterborne Fluid Hose

Item	Description
S	Waterborne Electrostatic Air-Assisted Spray Gun
T	Grounding Rod
U	Ground Terminal
V*	Main Ground Wire
W	Strain Relief Fitting
X	Pump Air Supply Line
Y	Grounding Cylinder
Z	Pump Fluid Outlet Fitting
AA	Isolated Enclosure Door (not shown, to illustrate internal components. Door must be closed and locked to operate system).
BB	Enclosure T-Handle Locking Screw (part of door assembly)
CC	Accessory Bleed-Type Air Shutoff Valve
* These items are required for safe operation. They are included with the WB3000 system.	

Agitator Kit Accessory

To add an agitator to the Graco isolation system, order Part No. 245895. See [245895 Agitator Kit, page 75](#), for the kit parts list.

1. Discharge the system voltage (see [Fluid Voltage Discharge and Grounding Procedure, page 25](#)).
2. Relieve the pressure (see [Pressure Relief Procedure, page 26](#)).
3. Open the isolated enclosure door.
4. Remove the back of the control box (258).
5. Remove tube (A2) from elbow (282) at the air manifold; see . Install the Y fitting (402) into the elbow. Install tubes (A2) and (407) into the Y fitting. Route the agitator tube (407) into the cabinet.
6. Replace the back of the control box (258).
7. Assemble the other parts of the kit as shown. Secure the agitator with the setscrew (408).
8. Return the system to service.







ti2137a

Figure 13 245895 Agitator Kit

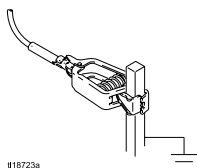
Gun Setup

Grounding

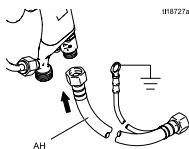
				
<p>When operating the electrostatic gun, any ungrounded objects in the spray area (people, containers, tools, etc.) can become electrically charged. Improper grounding can result in static sparking, which can cause a fire, explosion, or electric shock. Ground all equipment, personnel, object being sprayed, and conductive objects in or close to the spray area. Resistance must not exceed 100 ohms. Follow the grounding instructions below.</p>				

The following are minimum grounding requirements for a basic electrostatic waterborne system. Your system may include other equipment or objects which must be grounded. Check your local electrical code for detailed grounding instructions. Your system must be connected to a true earth ground.

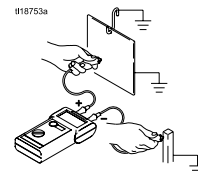
- *Voltage Isolation System:* Electrically connect the voltage isolation system to a true earth ground. See [Ground the Cabinet, page 16](#).



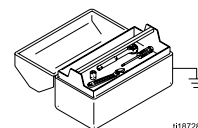
- *Electrostatic Air-Assisted Spray Gun:* ground the gun by connecting the red-colored Graco Grounded Air Hose to the gun, and connecting the air hose ground wire to a true earth ground. See [Check Gun Electrical Grounding, page 23](#).



- *Object being sprayed:* keep the workpiece hangers clean and grounded at all times.



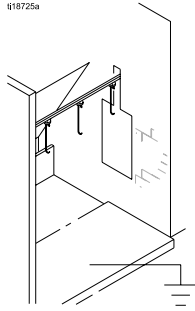
- *All electrically conductive objects or devices in the spray area:* must be properly grounded.



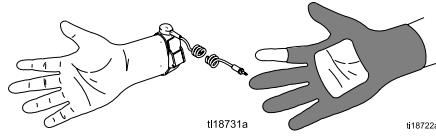
- *Fluid and waste containers:* ground all fluid and waste containers in the spray area. Do not use pail liners unless they are conductive and grounded. When flushing the spray gun, the container used to catch the excess fluid must be electrically conductive and grounded.
- *Air compressors:* ground the equipment according to the manufacturer's recommendations.
- *All air lines* must be properly grounded. Use only grounded hoses with a maximum of 100 feet (30.5 m) combined hose length to ensure grounding continuity.

Gun Setup

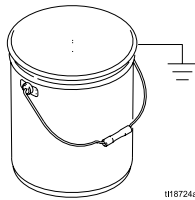
- *The floor of the spray area:* must be electrically conductive and grounded. Do not cover the floor with cardboard or any non-conductive material which would interrupt grounding continuity.






- *All persons entering the spray area:* must wear shoes having conductive soles such as leather, or wear personal grounding straps. Do not wear shoes with non-conductive soles such as rubber or plastic. If gloves are necessary, wear the conductive gloves supplied with the gun. If non-Graco gloves are worn, cut off fingers or palm area of gloves to ensure your hand contacts the grounded gun handle.



- *All solvent pails:* use only approved, grounded metal containers, which are conductive. Do not use plastic containers. Only use non-flammable solvents. Do not store more than the quantity needed for one shift.



Check Gun Electrical Grounding

				
---	---	---	--	--

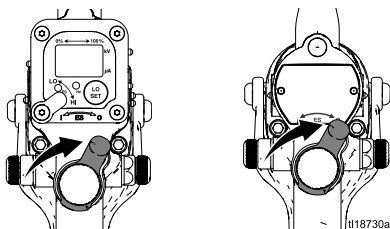
Megohmmeter Part No. 241079 (AA-see Fig. 14) is not approved for use in a hazardous area. To reduce the risk of sparking, do not use the megohmmeter to check electrical grounding unless:

- The gun has been removed from the hazardous area;
- Or all spraying devices in the hazardous area are turned off, ventilation fans in the hazardous area are operating, and there are no flammable vapors in the area (such as open solvent containers or fumes from spraying).

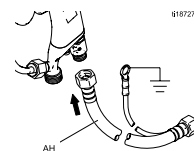
Failure to follow this warning could cause fire, explosion, and electric shock and result in serious injury and property damage.

Graco Part No. 241079 Megohmmeter is available as an accessory to check that the gun is properly grounded.

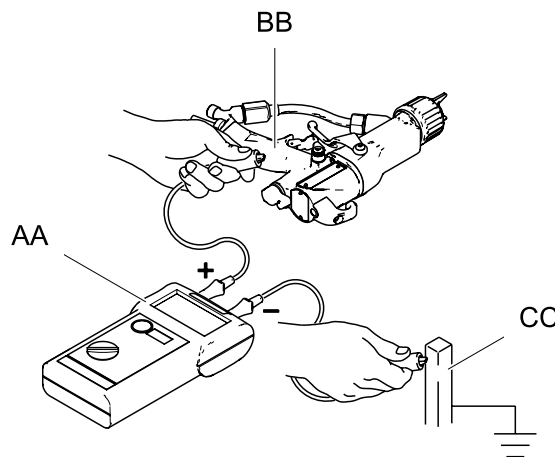
1. Have a qualified electrician check the electrical grounding continuity of the spray gun and air hose.
2. Turn OFF (O) the ES On-Off switch.



3. Turn off the air and fluid supply to the gun. Follow the [Pressure Relief Procedure, page 26](#).
4. Disconnect the fluid hose.
5. Make sure the grounded air hose is connected and the hose ground wire is connected to a true earth ground.



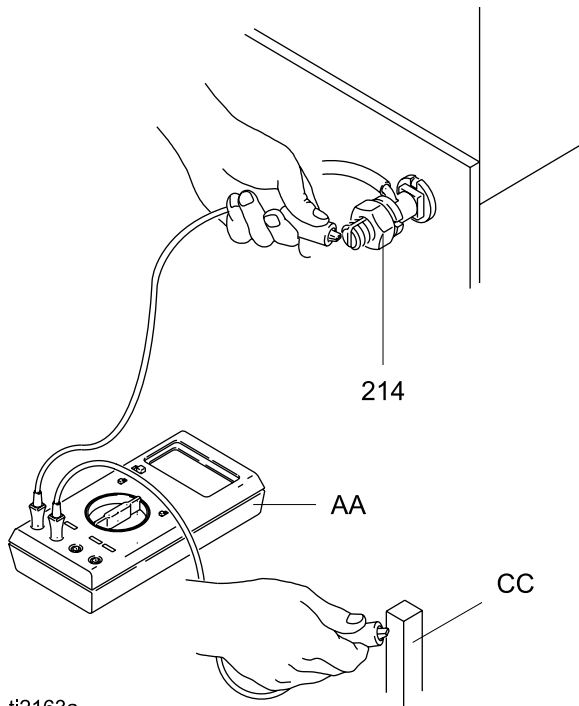
6. Measure the resistance between the gun handle (BB) and a true earth ground (CC). Use an applied voltage of 500 minimum to 1000 volts maximum. The resistance should not exceed 100 ohms. See Fig. 14.



ti18787a
Figure 14 Check Gun Electrical Grounding

Gun Setup

7. If the resistance is greater than 100 ohms, check the tightness of the ground connections and be sure the air hose ground wire is connected to a true earth ground. If the resistance is still too high, replace the air hose.
8. Using an ohmmeter (AA) measure the resistance between the cabinet ground lug (214) and a true earth ground (CC). The resistance must be less than 100 ohms.



ti2163a

Figure 15 Check Cabinet Grounding

Flush Before Using Equipment

The equipment was tested in fluid at the factory. To avoid contaminating your fluid, flush the equipment with a compatible solvent before using the equipment.



Operation

Operating Checklist

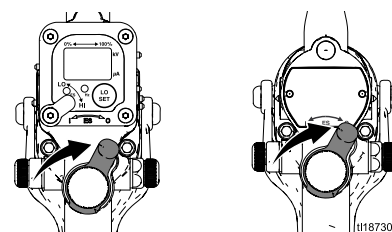
Check the following list daily, before starting the system.

- All operators are properly trained to operate an electrostatic waterborne air-assisted spray system as instructed in this manual.
- All operators are trained in the [Pressure Relief Procedure, page 26](#).
- The electrostatics are turned off and system voltage is discharged according to the [Fluid Voltage Discharge and Grounding Procedure, page 25](#), before any person enters the isolation enclosure, before cleaning, and before performing any maintenance or repair.
- The system is grounded according to the instructions in [Grounding, page 21](#).
- The Graco waterborne fluid hose is in good condition with no cuts or abrasions of the inner layer. Replace hose if damaged.
- Ventilation fans are operating properly.
- All debris, including flammable fluids and rags, is removed from the spray area.
- Fluids used must meet the following flammability requirements:
 - **FM, FMc Approved:**
Material does not sustain burning in accordance with the Standard Test Method for Sustained Burning of Liquid Mixtures, ASTM D4206.
 - **CE-EN 50059 Compliant:**
Materials which cannot be ignited, in any mixture with air, by an energy source of less than 500mJ.

Fluid Voltage Discharge and Grounding Procedure





				
<p>The fluid supply is charged with high voltage until the voltage is discharged. Contact with the charged components of the voltage isolation system or spray gun electrode will cause an electric shock. To avoid an electric shock, follow the Fluid Voltage Discharge and Grounding Procedure:</p> <ul style="list-style-type: none"> • whenever you are instructed to discharge the voltage • before cleaning, flushing, or servicing the system equipment • before approaching the front of the gun • or before opening the isolation enclosure for the isolated fluid supply. 				

1. Turn the ES ON/OFF valve OFF and wait 30 seconds, to allow the voltage to discharge through the bleed resistor.

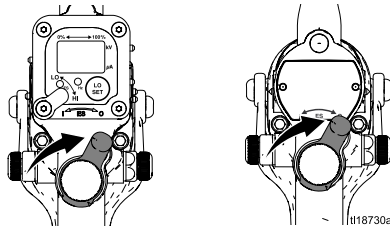


2. Fully unscrew the door T-handle locking screw. This will shut off the air to the gun and trigger the grounding cylinder to discharge any remaining electrical charge.
3. Use the grounding rod to touch the pump and supply pail. If you see any arcs, see [Electrical Troubleshooting, page 45](#).

Pressure Relief Procedure

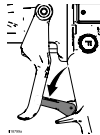
				
<p>This equipment stays pressurized until pressure is manually relieved. To help prevent serious injury from pressurized fluid, such as skin injection, splashing fluid and moving parts, follow the Pressure Relief Procedure when you stop spraying and before cleaning, checking, or servicing the equipment.</p>				

1. Turn OFF (O) the ES On/Off switch.



2. Follow the [Fluid Voltage Discharge and Grounding Procedure](#), page 25.

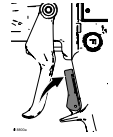
3. Engage the trigger lock.



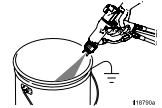
4. Turn off the air bleed valves to the fluid source and to the gun.



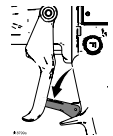
5. Disengage the trigger lock.



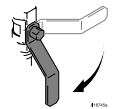
6. Trigger the gun into a grounded metal waste container to relieve the fluid pressure.



7. Engage the trigger lock.



8. Open the pump drain valve, having a waste container ready to catch the drainage. Leave the pump drain valve open until you are ready to spray again.



9. If the spray tip or hose is completely clogged or pressure is not fully relieved, slowly loosen the hose end coupling. Now clear the spray tip or hose.

Fill the Fluid Supply

1. Follow the [Fluid Voltage Discharge and Grounding Procedure, page 25](#).
2. Follow the [Pressure Relief Procedure, page 26](#).
3. Open the isolated enclosure door.
4. Remove the pail cover from the pail, holding a rag over the suction tube strainer to prevent any fluid from dripping into the isolated enclosure. Place the cover and suction tube outside the enclosure.
5. Remove the supply pail from the enclosure.
6. Clean up any fluid spills in the enclosure, using a soft cloth and a non-flammable, compatible solvent.
7. Fill the supply pail with fluid and return it to the enclosure. Clean up any spills.
8. Reinstall the pail cover, holding a rag over the suction tube strainer to prevent fluid spills while you place the pump suction tube in the pail.
9. Close the isolated enclosure door and fasten securely with the T-handle locking screw.

NOTICE

Be sure to wipe up all fluid spills in the isolated enclosure. Fluid can create a conductive path and cause the system to short out.

Adjust the Spray Pattern

<p>To reduce the risk of fire and explosion, fluids used must meet the following flammability requirements:</p> <ul style="list-style-type: none"> • FM, FMc Approved: Material does not sustain burning in accordance with the Standard Test Method for Sustained Burning of Liquid Mixtures, ASTM D4206. • CE-EN 50059 Compliant: Materials which cannot be ignited, in any mixture with air, by an energy source of less than 500mJ. 				

<p>Contact with the charged components of the spray gun will cause an electric shock. Do not touch the gun nozzle or electrode or come within 4 in. (102 mm) of the electrode during operation or until performing the Fluid Voltage Discharge and Grounding Procedure, page 25.</p> <p>Follow the Fluid Voltage Discharge and Grounding Procedure, page 25 when you stop spraying and whenever you are instructed to discharge the voltage.</p>				

<p>To reduce the risk of component rupture, which can cause serious injury, do not exceed the maximum working pressure of the lowest rated system component. This equipment has a 100 psi (0.7 MPa, 7 bar) maximum air working pressure and a 3000 psi (21 MPa, 210 bar) maximum fluid working pressure.</p>				

<p>To reduce the risk of an injury, follow the Pressure Relief Procedure, page 26 whenever you are instructed to relieve the pressure.</p>				

Follow the steps below to establish the correct fluid flow and air flow. See Fig. 16 to locate the electrostatic gun controls.

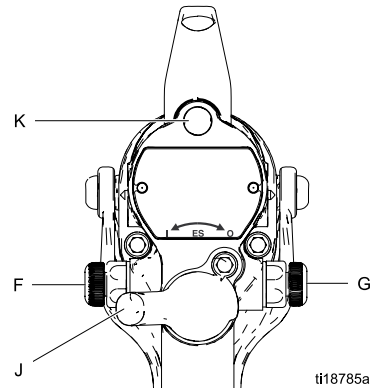
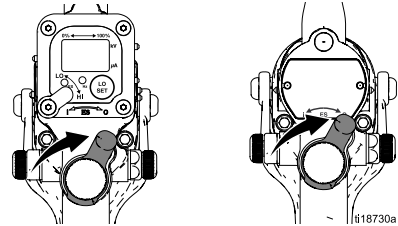
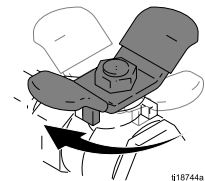


Figure 16 Electrostatic Gun Controls

1. Turn OFF (O) the ES On-Off switch (J).



2. Shut off the air bleed valve to the gun.



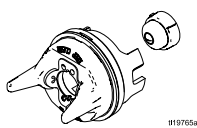
3. Check gun resistance. See [Test Gun Resistance, page 36](#).
4. Follow all steps under [Grounding, page 21](#).
5. Follow all steps under [Check Gun Electrical Grounding, page 23](#). Reading must be less than 100 ohms.
6. Connect the exhaust tube and secure with the clamp provided.



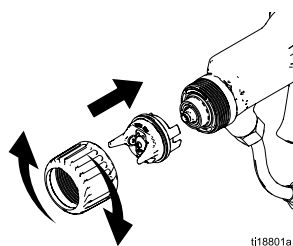
7. Flush if needed. See [Flushing, page 31](#).

<p>To reduce the risk of a skin injection injury, always follow the Pressure Relief Procedure, page 26, before removing or installing the spray tip, air cap, or tip guard.</p>				

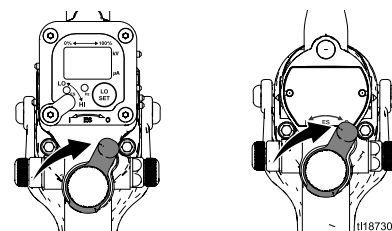
8. The fluid output and pattern width depend on the size of the spray tip, the fluid viscosity, and the fluid pressure. Use the [Spray Tip Selection Chart, page 71](#), as a guide for selecting the appropriate spray tip for your application.
9. Align the spray tip tab with the groove in the air cap. Install the tip.



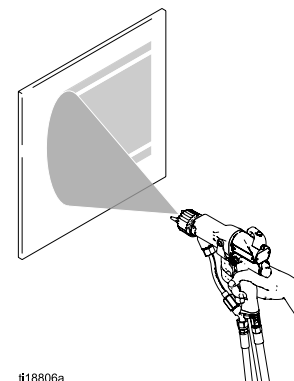
10. Install the air cap and retaining ring. Orientate the air cap and tighten the retaining ring securely.



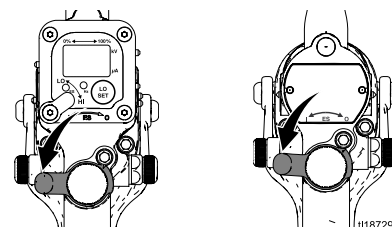
11. Close the atomizing air adjustment valve (G) and the fan air adjustment valve (F).
12. Check that the ES On-Off switch is OFF (O).



13. Start the pump. Set the fluid regulator to 400 psi (2.8 MPa, 28 bar).
14. Spray a test pattern. Examine the particle size in the center of the pattern (tails will be removed in step 18). Increase the pressure in small increments. Spray another pattern. Compare particle size. Continue increasing pressure until the particle size remains constant. Do not exceed 3000 psi (21 MPa, 210 bar).



15. Turn ON (I) the ES On-Off switch.



Operation

16. Check that the ES indicator (Hz indicator on Smart guns) is lit, or check that the kV indicator on the isolated enclosure reads 30–50 kV. The actual spraying voltage for AA waterborne systems is 40–50 kV, but because the charging electrode does not directly contact the fluid, the voltage measured by the WB3000 kV meter will be 5–10 kV lower. See the following table.

Table 2 . LED Indicator Colors

Indicator Color	Description
Green	When spraying, the indicator should remain green, indicating sufficient air pressure to the alternator turbine.
Amber	If the indicator turns amber after 1 second, the air pressure is too low. Increase air pressure until the indicator is green.
Red	If the indicator turns red after 1 second, the air pressure is too high. Decrease air pressure until the indicator is green.

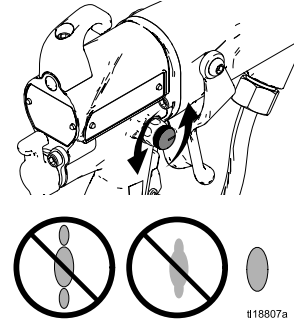
17. Set the gun air regulator to deliver a minimum of 45 psi (0.32 MPa, 3.2 bar) at gun when triggered, to ensure full spraying voltage. See the table below.



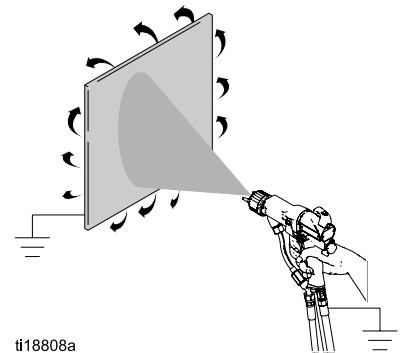
Table 3 . Pressure Drop

Air Hose Length in ft (m) (using 5/16 in. [8 mm] diameter hose)	Air Regulator Setting in psi (MPa, bar) [with gun triggered]
15 (4.6)	52 (0.36, 3.6)
25 (7.6)	57 (0.40, 4.0)
50 (15.3)	68 (0.47, 4.7)
75 (22.9)	80 (0.56, 5.6)
100 (30.5)	90 (0.63, 6.3)

18. Turn the atomizing air adjustment valve counterclockwise until any tails disappear.



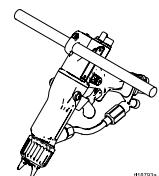
19. If desired atomization is not achieved, change the tip size. The smaller the tip orifice, the finer the atomization.
20. Spray a test piece. Examine the edges for coverage. If wrap is poor, see [Troubleshooting, page 40](#).



NOTE: If a narrower pattern is needed occasionally, open the fan air adjustment valve slightly. (Excessive fan air flow can cause paint buildup on the air cap.)

Shutdown




1. Discharge the system voltage. See [Fluid Voltage Discharge and Grounding Procedure, page 25](#).
2. Flush the gun. See [Flushing, page 31](#).
3. Follow the [Pressure Relief Procedure, page 26](#).
4. Hang the gun from its hook, with the nozzle pointing down. Be sure to keep the gun from grounding out.



Maintenance

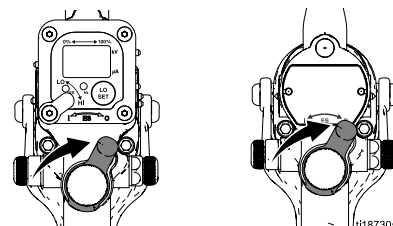
Flushing

- Flush before changing fluids, before fluid can dry in the equipment, at the end of the day, before storing, and before repairing equipment.
- Flush at the lowest pressure possible. Check connectors for leaks and tighten as necessary.
- Flush with a non-flammable solvent that is compatible with the fluid being dispensed and the equipment wetted parts.

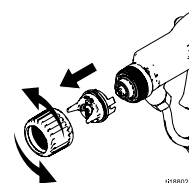
				
<p>To reduce the risk of fire, explosion, or electric shock, turn OFF (O) the ES On-Off switch before flushing the gun.</p> <p>Follow the Fluid Voltage Discharge and Grounding Procedure, page 25, before flushing.</p> <p>Only flush, purge, or clean the gun with fluids that meet the following flammability requirements:</p> <ul style="list-style-type: none"> • FM, FMc Approved: Material does not sustain burning in accordance with the Standard Test Method for Sustained Burning of Liquid Mixtures, ASTM D4206. • CE-EN 50059 Compliant: Materials which cannot be ignited, in any mixture with air, by an energy source of less than 500mJ. 				

NOTICE
Only use non-flammable solvents when flushing or cleaning equipment.

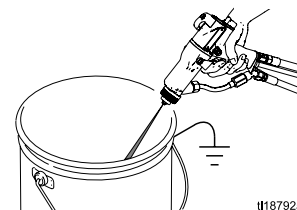
1. Turn OFF (O) the ES On-Off switch. Wait 30 seconds for the voltage to bleed off.



2. Discharge the system voltage. See [Fluid Voltage Discharge and Grounding Procedure, page 25](#).
3. Follow the [Pressure Relief Procedure, page 26](#).
4. Remove and clean the air cap and spray tip.

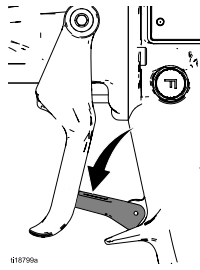


5. Change the fluid source to non-flammable solvent.
6. Point the gun into a grounded metal pail. Flush until clean solvent flows from the gun.

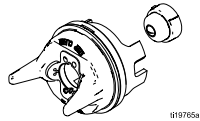


Maintenance

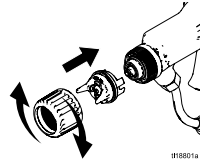
7. Follow the [Pressure Relief Procedure, page 26](#). Engage the trigger lock.



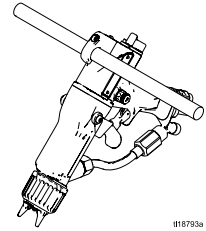
8. Align the spray tip tab with the groove in the air cap. Install the tip.



9. Reinstall the air cap, tip guard, and retaining ring.



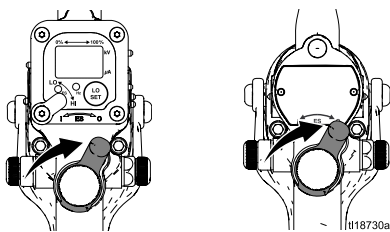
10. Open the isolated enclosure door. Leave the flushing fluid in the system until you are ready to spray again.
11. Hang the gun from its hook, with the nozzle pointing down. Be sure to keep the gun from grounding out.



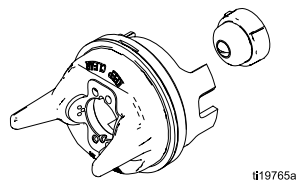
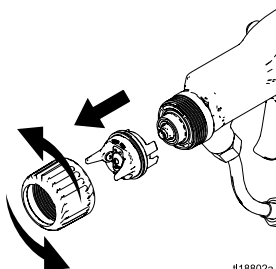
12. Before using the system electrostatically again, make sure no flammable vapors are present.

Clean the Gun Daily

1. Turn OFF (O) the ES On-Off switch.

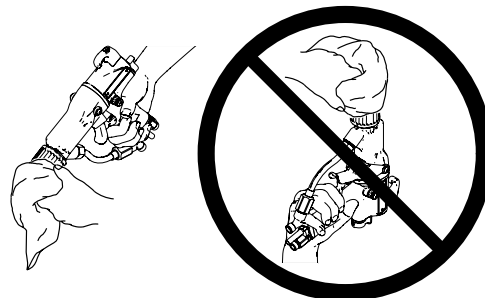


2. Discharge the system voltage. See [Fluid Voltage Discharge and Grounding Procedure, page 25](#).
3. Follow the [Pressure Relief Procedure, page 26](#).
4. Remove the air cap/tip guard and spray tip.



5. Flush the gun, see [Flushing, page 31](#).
6. Follow the [Pressure Relief Procedure, page 26](#).

7. Clean the outside of the gun with a non-flammable solvent, as defined under [Flushing, page 31](#). Use a soft cloth. Point the gun down to prevent solvent from entering the gun passages. Do not immerse the gun.



ti18809a



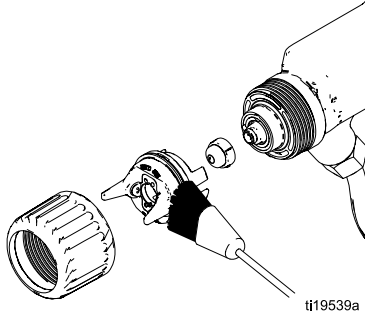
ti18810a



ti18811a

Maintenance

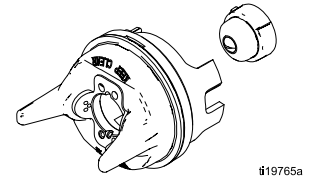
8. Clean the air cap/tip guard and spray tip with a soft brush and non-flammable solvent.



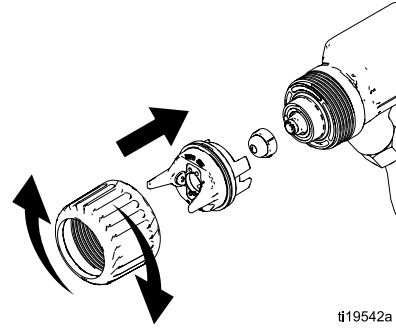
9. If necessary, use a toothpick or other soft tool to clean the air cap holes. Do not use metal tools.



10. Align the spray tip tab with the groove in the air cap. Install the tip.

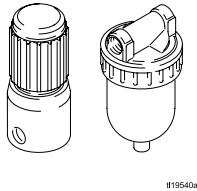


11. Install the air cap and retaining ring. Orientate the air cap and tighten the retaining ring securely.

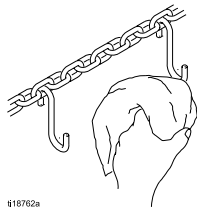


Daily System Care

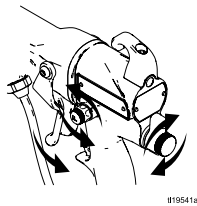
1. Follow the instructions under [Clean the Gun Daily, page 33](#). Follow the [Pressure Relief Procedure, page 26](#).
2. Clean the fluid and air filters.



3. Check for fluid leaks. Tighten all fittings.
4. Clean workpiece hangers. Use non-sparking tools.

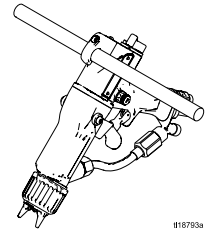


5. Check the movement of the trigger and valves. Lubricate if necessary.



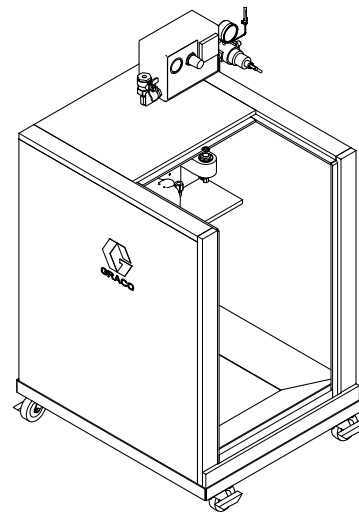
6. [Check Gun Electrical Grounding, page 23](#).

7. Hang the gun from its hook, with the nozzle pointing down.



8. Clean the cabinet:

- Inspect the cabinet and clean up any spilled paint. Conductive paint residue allowed to contact grounded parts may short out the electrostatics.
- Keep the inside of the cabinet clean, for proper operation.
- Inspect the door T-handle locking screw regularly, to ensure the threads are well greased. Apply silicone-free grease to the threads when necessary.
- Visually inspect the ground strip (240) for damage. Replace if needed. Measure the resistance weekly. See [Test Ground Strip Resistance, page 39](#).



Electrical Tests

Use the following procedures to test the condition of the power supply and gun body, and electrical continuity between components.

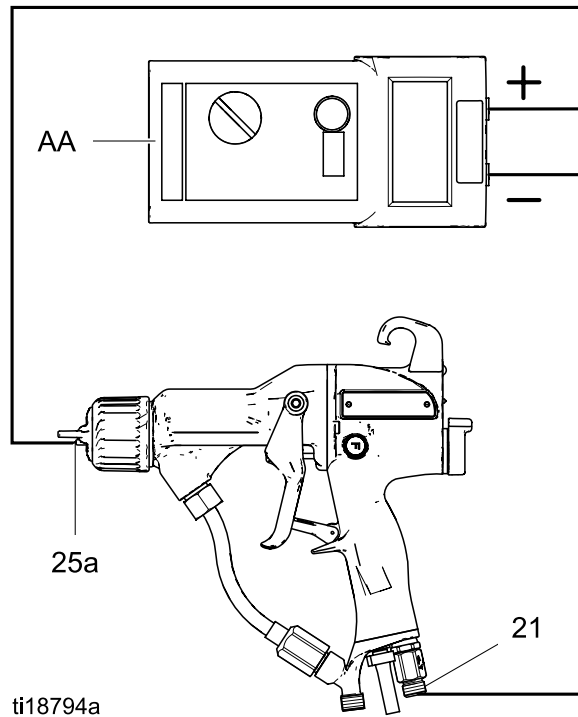
NOTICE
The gun body resistor cartridge is part of the body and is not replaceable. To avoid destroying the gun body, do not attempt to remove the body resistor.

Use megohmmeter Part No. 241079 (AA) with an applied voltage of 500 V. Connect the leads as shown.

				
<p>Megohmmeter Part No. 241079 (AA-see Fig. 17) is not approved for use in a hazardous area. To reduce the risk of sparking, do not use the megohmmeter to check electrical grounding unless:</p> <ul style="list-style-type: none">• The gun has been removed from the hazardous area;• Or all spraying devices in the hazardous area are turned off, ventilation fans in the hazardous area are operating, and there are no flammable vapors in the area (such as open solvent containers or fumes from spraying). <p>Failure to follow this warning could cause fire, explosion, and electric shock and result in serious injury and property damage.</p>				

Test Gun Resistance

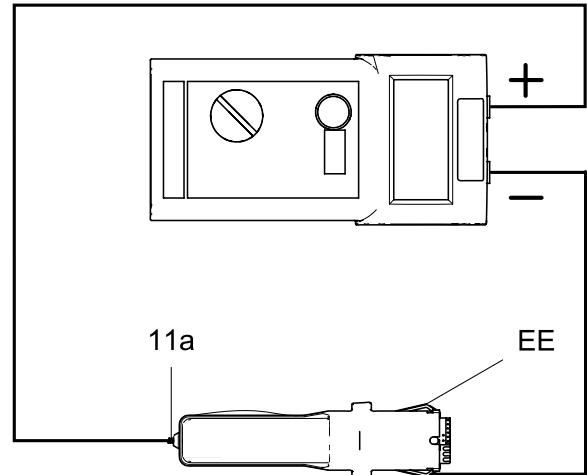
1. Flush and dry the fluid passage.
2. Measure resistance between the electrode needle tip (25a) and the air swivel (21). The resistance should be 104–150 megohms. If outside this range, go to [Test Power Supply Resistance, page 37](#). If in range, see [Electrical Troubleshooting, page 45](#) for other possible causes of poor performance, or contact your Graco distributor.



ti18794a
Figure 17 Test Gun Resistance

Test Power Supply Resistance

1. Remove the power supply (11). See [Power Supply Removal and Replacement, page 52](#).
2. Remove the alternator (15) from the power supply. See [Alternator Removal and Replacement, page 53](#).
3. Measure resistance from the power supply's ground strips (EE) to the spring (11a). The resistance should be 90–115 megohms. If outside this range, replace the power supply. If in range, go to [Test Gun Barrel Resistance, page 38](#).
4. Be sure the spring (11a) is in place before reinstalling the power supply.

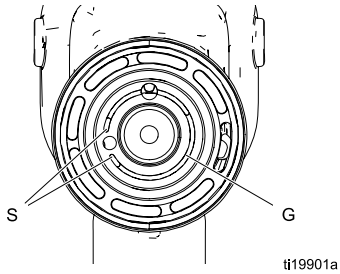


ti18735a

Figure 18 Test Power Supply Resistance

Test Gun Barrel Resistance

1. Insert a conductive rod (B) into the gun barrel (which was removed for the power supply test) and against the metal contact (C) in the front of the barrel.
2. Measure the resistance between the conductive rod (B) and the conductive ring (9). The resistance should be 10–30 megohms. If the resistance is incorrect, make sure the metal contact (C) in the barrel and the conductive ring (9) are clean and undamaged.
3. If the resistance is still outside the range, remove the conductive ring (9) and measure the resistance between the conductive rod (B) and the wire lead at the bottom of the conductive ring groove.
4. If the resistance is in range, replace the conductive ring (9) with a new one. Insert the ends of the conductive ring into the slots (S) at the front of the barrel, then press the ring firmly into the groove (G).



NOTICE

The conductive ring (9) is a conductive metal contact ring, not a sealing o-ring. For best performance and to avoid potential damage to the spray gun, do not remove the conductive ring (9) except to replace it and never operate the gun without the conductive ring in place. Do not replace the conductive ring with anything but a genuine Graco part.

5. If the resistance is still outside the range, replace the gun barrel.

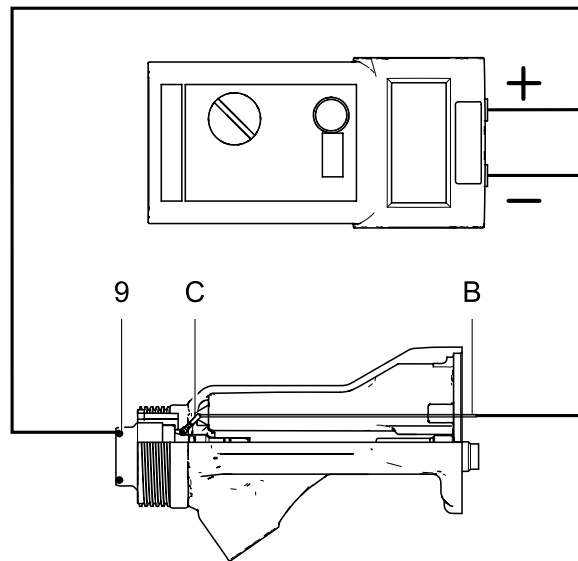


Figure 19 Test Gun Barrel Resistance

Test Ground Strip Resistance

Using an ohmmeter, measure the resistance between the latch housing (206) and the ground lug (214). The ground strip is grounded through the cart back to the ground lug. Resistance must be less than 100 ohms. If greater than 100 ohms, replace the ground strip (240).

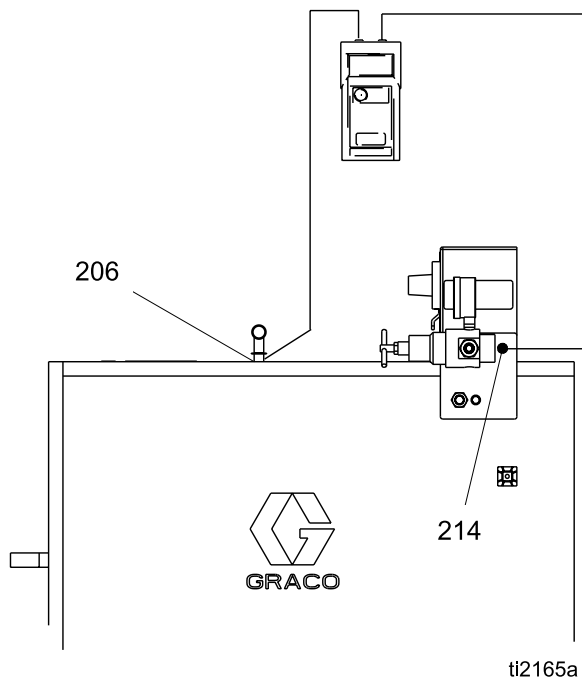


Figure 20 Test Ground Strip Resistance

Test Cylinder Resistance

Remove the enclosure door. Using an ohmmeter, measure the resistance from the pump (209) to the ground lug (214). Resistance must be less than 100 ohms. If greater than 100 ohms, replace the grounding cylinder.

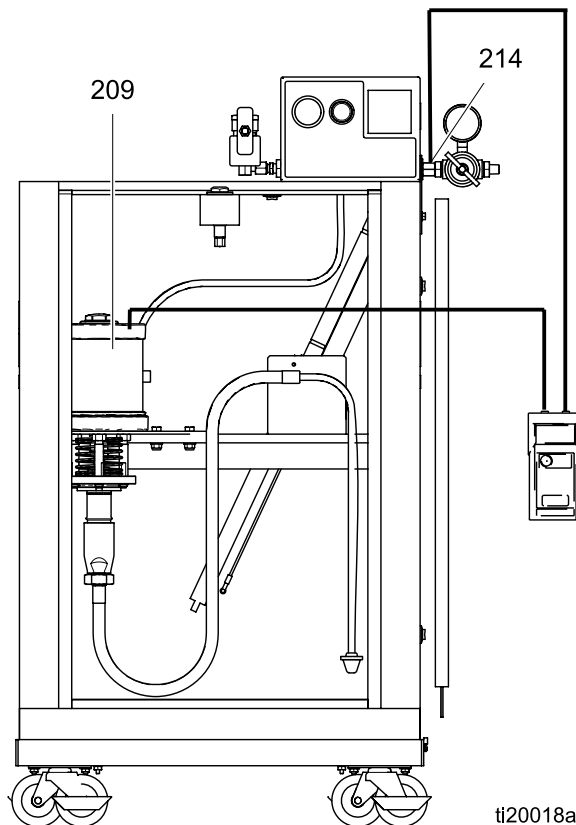









Figure 21 Test Cylinder Resistance

Troubleshooting

				
<p>Installing and servicing this equipment requires access to parts which may cause an electric shock or other serious injury if the work is not performed properly. Do not install or service this equipment unless you are trained and qualified.</p> <p>Follow the Fluid Voltage Discharge and Grounding Procedure, page 25 before checking or servicing the system and whenever you are instructed to discharge the voltage.</p>				

				
<p>To reduce the risk of a skin injection injury, always follow the Pressure Relief Procedure, page 26, whenever you are instructed to relieve the pressure.</p>				

NOTE: Check all possible remedies in the Troubleshooting Chart before disassembling the gun.

Voltage Loss Troubleshooting

Normal spraying voltage for a system using the waterborne gun is 40–50 kV. The system voltage is lower due to spraying current demands and voltage isolation system losses.

A loss of spraying voltage can be caused by a problem with the spray gun, fluid hose, or voltage isolation system, since all of the system components

are electrically connected through the conductive, waterborne fluid.

Before troubleshooting or servicing the voltage isolation system itself, you need to determine which component in the system is most likely causing a problem. Possible causes include the following:

Spray Gun

- Fluid leakage
- Dielectric breakdown at the fluid hose connection or fluid packings
- Not enough air pressure for the alternator turbine
- Faulty power supply
- Excessive overspray on gun surfaces
- Fluid in the air passages

Waterborne Fluid Hose

- Dielectric failure of the hose (pin-hole leak in the inner layer)
- Air gap in the fluid column between the gun and the isolated fluid supply, causing a low voltage reading on the isolation system voltage meter.

Voltage Isolation System

- Fluid leakage
- Dirty interior

Visual Checks

First, check the system for any visible faults or errors to help isolate whether the spray gun, fluid hose or voltage isolation system has failed. A voltage probe and meter, part no. 245277, is helpful for diagnosing voltage problems and is required for some of the troubleshooting tests that follow.

1. Check that all of the air and fluid tubes and hoses are properly connected.
2. Check that the voltage isolation system valves and controls are properly set for operation.
3. Check that the interior of the isolated enclosure is clean.
4. Check that the spray gun and voltage isolation system have sufficient air pressure.
5. Check that the gun ES ON/OFF valve is in the ON position and that the gun ES indicator light is on. If the ES indicator light is not on, remove the spray gun for service and complete the [Electrical Tests, page 36](#).
6. Check that the voltage isolation system's enclosure door is closed and that any safety interlocks are engaged and working properly.
7. Make sure the voltage isolation system is in the "isolate" mode, where it is isolating the fluid voltage from ground.
8. To eliminate air gaps in the fluid column, spray enough fluid to purge the air out between the voltage isolation system and the spray gun. An air gap in the fluid hose can break the electrical continuity between the spray gun and the isolated fluid supply and cause a low voltage reading on a voltage meter connected to the isolated fluid supply.
9. Check the spray gun cover and barrel for accumulated overspray. Excessive overspray can create a conductive path back to the grounded gun handle. Install a new gun cover and clean the exterior of the gun.
10. Inspect the entire system for any visible fluid leakage and repair any fluid leaks that are found. Pay special attention to the following areas:
 - Packing area of the spray gun.
 - Fluid hose: check for leakage or any bulges in the outer cover, which may indicate an internal leak.
 - Internal voltage isolation system components

Tests

If you still have no voltage, separate the spray gun and hose from the voltage isolation system and check whether the gun and hose alone will hold voltage with the following test.

1. Flush the system with water and leave the lines filled with water.
2. Discharge the system voltage (see [Fluid Voltage Discharge and Grounding Procedure, page 25](#)).
3. Follow the [Pressure Relief Procedure, page 26](#).
4. Disconnect the fluid hose from the voltage isolation system.

Avoid allowing any water to leak out of the fluid hose as that could cause a significant air gap in the fluid column up to the gun electrode, which can break the conductivity path and conceal a potential failure area.

5. Position the end of the hose as far as possible away from any grounded surface. The end of the hose must be at least 1 ft. (0.3 m) from any ground. Make sure that no one is within 3 ft. (0.9 m) of the end of the hose.
6. Turn the ES ON/OFF valve to ON and trigger the gun just enough to turn on the air to the gun but not the fluid. Measure the voltage at the gun electrode with a voltage probe and meter.
7. Discharge the system voltage by waiting 30 seconds and then touching the gun electrode with a grounded rod.
8. Check the meter reading:
 - If the meter reading is 40 to 50 kV, the gun and fluid hose are okay, and the problem is in the voltage isolation system.
 - If the meter reading is below 40 kV, the problem is in the gun or fluid hose.
9. Flush the fluid hose and gun with enough air to dry out the fluid passages.
10. Turn the ES ON/OFF valve to ON and trigger the gun. Measure the voltage at the gun electrode with a voltage probe and meter.

- If the meter reading is 40-50 kV, the gun power supply is okay, and there is probably a dielectric breakdown somewhere in the fluid hose or gun. Continue with step 11.
- If the meter reading is below 40 kV, do the [Electrical Tests, page 36](#), to check the gun and power supply resistance. If those tests show the gun and power supply are okay, continue with step 11.

11. A dielectric breakdown is most likely in one of the following three areas. Repair or replace the component that is failing.

a. Fluid hose:

- Check for leakage or any bulges in the outer cover, which may indicate a pin-hole leak through the inner layer. Disconnect the fluid hose from the gun, and look for signs of fluid contamination on the outside of the inner portion of the fluid tube.
- Inspect the end of the hose connected to the voltage isolation system. Look for cuts or nicks.

b. Fluid needle:

Remove the fluid needle from the gun (see [Fluid Needle Replacement, page 51](#)), and look for signs of fluid leakage or any blackened areas, which would indicate arcing is occurring along the packing rod.

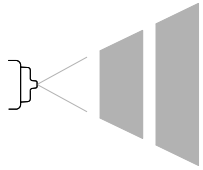

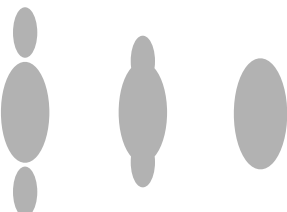
c. Fluid hose connection to the spray gun:

A breakdown at the fluid hose connection joint would be caused by fluid leaking past the hose fittings. Remove the hose at the gun connection and look for signs of fluid leakage.

12. Before reassembling the gun, clean and dry the gun fluid inlet tube. Repack the inner spacer of the fluid packing rod with dielectric grease and reassemble the gun.
13. Reconnect the fluid hose.
14. Check the gun voltage with the voltage probe and meter before filling the gun with fluid.

Spray Pattern Troubleshooting

NOTE: Some spray pattern problems are caused by the improper balance between air and fluid.

Problem	Cause	Solution
Fluttering or spitting spray. 	No fluid.	Refill supply.
	Air in fluid supply.	Check fluid source. Refill.
Irregular pattern.  <small>ti18798a</small>	Fluid buildup; partially plugged tip.	Clean. See Clean the Gun Daily, page 33.
	Worn/damaged tip or air cap holes.	Clean or replace.
Pattern pushed to one side; air cap gets dirty.	Air cap holes plugged.	Clean. See Clean the Gun Daily, page 33.
Tails in pattern.  <small>ti18797a</small>	Air pressure too low.	Open atomizing air adjustment valve.
	Fluid pressure too low.	Increase.
Fluid buildup on air cap/tip guard.	Air pressure too high.	Decrease.
	Fluid pressure too low.	Increase.
	Air cap holes plugged.	Clean. See Clean the Gun Daily, page 33.

Gun Operation Troubleshooting

Problem	Cause	Solution
Excessive spray fog.	Atomizing air pressure too high.	Close atomizing air valve part way, or decrease air pressure as low as possible; minimum 45 psi (0.32 MPa, 3.2 bar) needed at gun for full voltage.
	Fluid too thin.	Increase viscosity.
"Orange Peel" finish.	Atomizing air pressure too low.	Open atomizing air valve more or increase gun air inlet pressure; use lowest air pressure necessary.
	Spray tip is too large.	Use smaller tip. See Spray Tip Selection Chart, page 71 .
	Poorly mixed or filtered fluid.	Remix or refilter fluid.
	Fluid too thick.	Reduce viscosity.
Fluid leaks from the fluid packing area.	Worn fluid needle packings or rod.	See Fluid Needle Replacement, page 51 .
Air leaks from the front of the gun.	Air valve is not seating properly.	See Air Valve Repair, page 57 .
Fluid leakage from the front of the gun.	Worn or damaged fluid needle ball.	See Fluid Needle Replacement, page 51 .
	Worn fluid seat housing.	See Air Cap, Spray Tip, and Fluid Seat Housing Replacement, page 48 .
	Loose spray tip.	Tighten retaining ring.
	Damaged tip seal.	See Air Cap, Spray Tip, and Fluid Seat Housing Replacement, page 48 .
Gun does not spray.	Low fluid supply.	Add fluid if necessary.
	Damaged spray tip.	Replace.
	Dirty or clogged spray tip.	Clean. See Clean the Gun Daily, page 33 .
	Damaged fluid needle.	See Fluid Needle Replacement, page 51 .
Dirty air cap.	Damaged or plugged air cap.	Clean air cap. See Clean the Gun Daily, page 33 .
Excessive paint wrap back to operator.	Poor grounding.	See Grounding, page 21 .
	Incorrect distance from gun to part.	Should be 8–12 in. (200–300 mm).

Electrical Troubleshooting




Problem	Cause	Solution
Poor wrap.	ES On/Off switch is OFF (O).	Turn ON (I).
	Gun air pressure too low (ES indicator is amber).	Check air pressure to gun; minimum 45 psi (0.32 MPa, 3.2 bar) needed at gun for full voltage.
	Atomizing air pressure too high.	Decrease.
	Fluid pressure too high.	Decrease, or replace worn tip.
	Incorrect distance from gun to part.	Should be 8-12 in. (200-300 mm).
	Poorly grounded parts.	Resistance must be 100 ohms or less. Clean workpiece hangers.
	Faulty gun resistance.	See Test Gun Resistance, page 36 .
	Fluid leaks from the fluid needle packings and causes a short.	See Fluid Needle Replacement, page 51 .
	Faulty alternator.	See Alternator Removal and Replacement, page 53 .
ES or Hz indicator is not lit.	ES On/Off switch is OFF (O).	Turn ON (I).
	No power.	Check power supply, alternator, and alternator ribbon cable. See Power Supply Removal and Replacement, page 52 and Alternator Removal and Replacement, page 53 .
Operator gets mild shock.	Operator not grounded or is near ungrounded object.	See Grounding, page 21 .
	Gun not grounded.	See Check Gun Electrical Grounding, page 23 , and Test Gun Resistance, page 36 .
Operator gets shock from workpiece.	Workpiece not grounded.	Resistance must be 100 ohms or less. Clean workpiece hangers.





Troubleshooting

Problem	Cause	Solution
Voltage/current display stays red (smart guns only).	Gun is too close to the part being sprayed.	Gun should be 8–12 in. (200–300 mm) from the part.
	Dirty gun.	See Clean the Gun Daily, page 33 .
ES or Hz indicator is amber.	Air turbine speed is too low.	Increase air pressure until indicator is green. To avoid over-atomization, use the atomizing air restrictor valve to reduce the atomizing air to the air cap.
ES or Hz indicator is red.	Air turbine speed is too high.	Decrease air pressure until indicator is green.
Error display appears and Hz indicator is red (Smart guns only).	Smart module has lost communication with the power supply.	Check for good connections between Smart Module and power supply. See Smart Module Replacement, page 58 , and Power Supply Removal and Replacement, page 52 .

Repair

Prepare the Gun for Service

				
<p>Installing and repairing this equipment requires access to parts that may cause electric shock or other serious injury if the work is not performed properly. Do not install or service this equipment unless you are trained and qualified.</p>				

				
<p>To reduce the risk of injury, follow the Pressure Relief Procedure, page 26, before checking or servicing any part of the system and whenever you are instructed to relieve the pressure.</p>				

- Check all possible remedies in [Troubleshooting, page 40](#), before disassembling the gun.

- Use a vise with padded jaws to prevent damage to plastic parts.
 - Lubricate the some needle assembly parts (20) and certain fluid fittings with dielectric grease (57), as specified in the text.
 - Lightly lubricate o-rings and seals with non-silicone grease. Order Part No. 111265 Lubricant. Do not over-lubricate.
 - Only use genuine Graco parts. Do not mix or use parts from other PRO Gun models.
 - Air Seal Repair Kit 24N789 is available. The kit must be purchased separately. Kit parts are marked with an asterisk, for example (3*).
1. Flush the gun. See [Flushing, page 31](#).
 2. Relieve the pressure. See [Pressure Relief Procedure, page 26](#).
 3. Disconnect the gun air and fluid lines.
 4. Remove the gun from the worksite. Repair area must be clean.

Air Cap, Spray Tip, and Fluid Seat Housing Replacement

1. See [Prepare the Gun for Service, page 47](#).
2. Remove the retainer ring (22) and air cap/tip guard assembly (25).

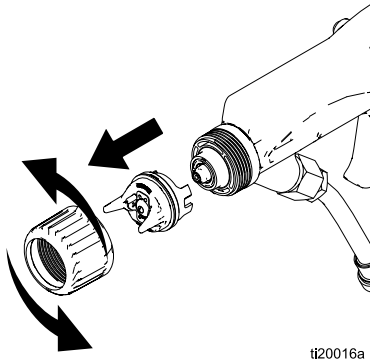


Figure 22 Remove Air Cap

3. Disassemble the air cap assembly. Check the condition of the u-cup (22a), o-ring (25b), and tip gasket (27a). Replace any damaged parts.

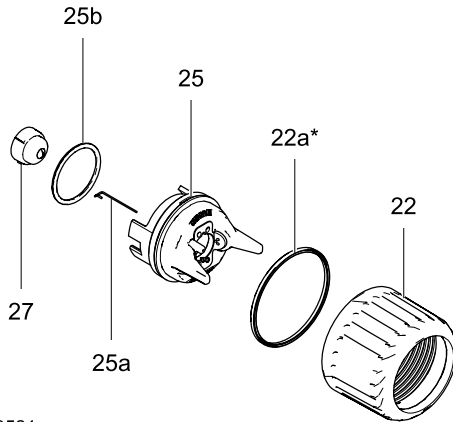


Figure 23 Disassemble Air Cap Assembly

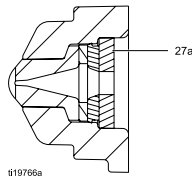


Figure 24 Tip Gasket

4. To replace the electrode (25a), see [Electrode Replacement, page 49](#).

NOTICE

The conductive ring (9) is a conductive metal contact ring, not a sealing o-ring. For best performance and to avoid potential damage to the spray gun, do not remove the conductive ring (9) except to replace it and never operate the gun without the conductive ring in place. Do not replace the conductive ring with anything but a genuine Graco part.

5. Trigger the gun and remove the fluid seat housing (24), using the multi-tool (61).

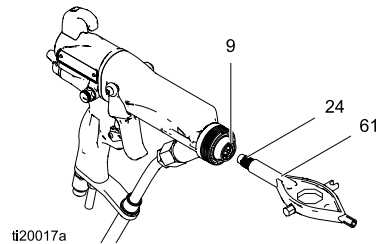


Figure 25 Replace Fluid Seat Housing

NOTICE

Do not overtighten the fluid seat housing (24). Overtightening may damage the housing and the gun barrel, resulting in improper fluid shutoff.

6. Trigger the gun and install the fluid seat housing (24). Tighten until snug, then 1/4 turn more.
7. Check that the spray tip gasket (27a) is in place. Align the spray tip tab with the groove in the air cap (25). Install the spray tip (27) in the air cap.
8. Make sure that the electrode (25a) is installed correctly in the air cap.
9. Check that the air cap o-ring (25b) is in place.
10. Check that the u-cup (22a) is in place on the retaining ring (22). The lips of the u-cup must face forward.

NOTICE

To avoid damaging the tip guard, orient the air cap assembly (25) before tightening the retaining ring (22). Do not turn the air cap when the retaining ring is tight.

11. Orientate the air cap and tighten the retaining ring securely.
12. See [Test Gun Resistance, page 36](#).

Electrode Replacement**NOTICE**

For best performance and to avoid potential damage to the spray gun, do not operate the spray gun without the electrode installed in the air cap.

1. See [Prepare the Gun for Service, page 47](#).
2. Remove the air cap assembly (25). See [Air Cap, Spray Tip, and Fluid Seat Housing Replacement, page 48](#).
3. Pull the electrode (25a) out of the back of the air cap, using a needle-nose pliers.
4. Push the new electrode through the air cap hole. Make sure the short end (BB) of the electrode engages the hole (CC) in the back of the air cap. Press the electrode in place firmly with your fingers.
5. Install the air cap assembly.
6. See [Test Gun Resistance, page 36](#).

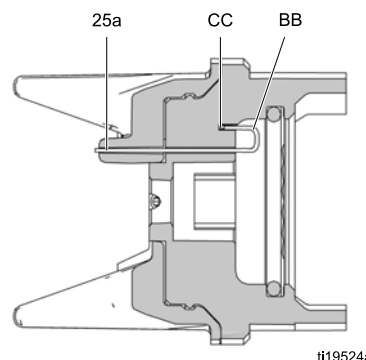


Figure 26 Replace Electrode

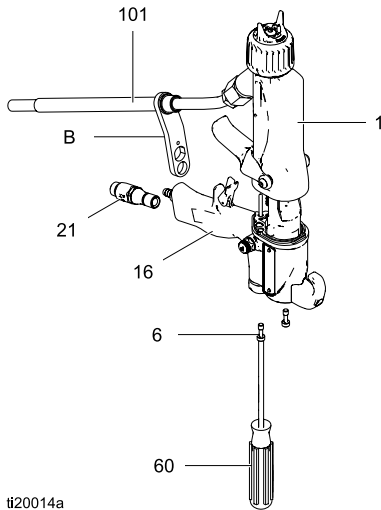
Gun Barrel Removal

1. See [Prepare the Gun for Service, page 47](#).
2. Remove the air inlet fitting (21) and take the bracket (B) off the gun handle (16).
3. Loosen the two screws (6).

NOTICE

To avoid damaging the power supply (11), pull the gun barrel straight away from the gun handle. If necessary, gently move the gun barrel from side to side to free it from the gun handle.

4. Hold the gun handle (16) with one hand and pull the barrel (1) straight off the handle.

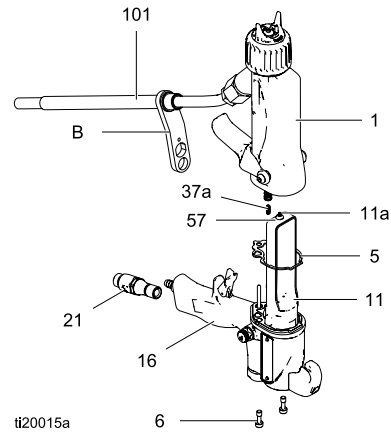


ti20014a

Figure 27 Gun Barrel Removal

Gun Barrel Installation

1. Be sure the gasket (5*) and grounding spring (37a) are in place. Make sure the gasket air holes are aligned properly. Replace the gasket if damaged.
2. Make sure the spring (11a) is in place on the tip of the power supply (11). **Liberal**ly apply dielectric grease (57) to the tip of the power supply. Place the gun barrel (1) over the power supply and onto the gun handle (16).
3. Tighten the two screws (6) oppositely and evenly (about a half turn past snug). Do not over-tighten the screws (6).
4. Position the bracket (B) on the gun handle (16) and secure with the air inlet fitting (21).
5. See [Test Gun Resistance, page 36](#).



ti20015a

Figure 28 Gun Barrel Installation

Fluid Needle Replacement

1. See [Prepare the Gun for Service, page 47](#).
2. Remove the air cap assembly and fluid seat housing. See [Air Cap, Spray Tip, and Fluid Seat Housing Replacement, page 48](#).
3. Remove the gun barrel. See [Gun Barrel Removal, page 50](#).
4. Remove the trigger screws (13) and trigger (12).
5. Unscrew the spring cap (37). Remove the spring (20a).
6. Insert the supplied driver (60) in the socket at the back of the fluid needle. Press forward so the two segments of the needle engage (R). This allows the needle to be unscrewed from the gun body.
7. Using the multi-tool (61), pull back on the packing nut (N) to remove the fluid needle assembly.
8. Install the fluid needle assembly in the gun barrel. Push in on the needle with the driver (60) and tighten.
9. Install the spring (20a).
10. Install the spring cap (37). Make sure the grounding spring (37a) is in place.
11. Install the trigger (12) and screws (13).
12. Install the gun barrel. See [Gun Barrel Installation, page 50](#).
13. Install the seat housing and air cap assembly. See [Air Cap, Spray Tip, and Fluid Seat Housing Replacement, page 48](#).
14. See [Test Gun Resistance, page 36](#).

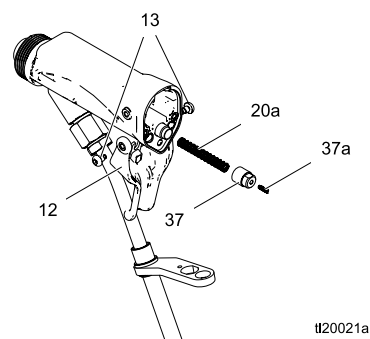


Figure 29 Remove Cap and Springs

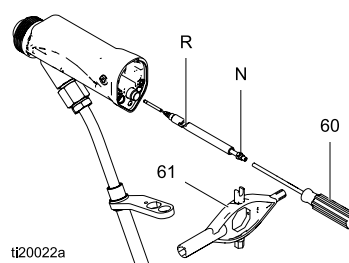


Figure 30 Remove Fluid Needle

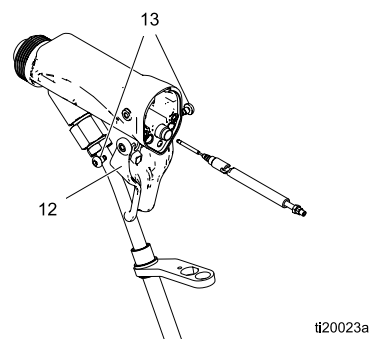


Figure 31 Replace Fluid Needle






Power Supply Removal and Replacement

- Inspect the gun handle power supply cavity for dirt or moisture. Clean with a clean, dry rag.
 - Do not expose gasket (5) to solvents.
1. See [Prepare the Gun for Service, page 47](#).
 2. See [Gun Barrel Removal, page 50](#).

NOTICE

Be careful when handling the power supply (11) to avoid damaging it.

3. Grasp the power supply (11) with your hand. With a gentle side to side motion, free the power supply/alternator assembly from the gun handle (16), then carefully pull it straight out. *On Smart Models only*, disconnect the flexible circuit (40) from the socket at the top of the handle.
4. Inspect the power supply and alternator for damage.
5. To separate the power supply (11) from the alternator (15), disconnect the 3-wire ribbon connector (PC) from the power supply. *On Smart Models only*, disconnect the 6-pin flexible circuit (40) from the power supply. Slide the alternator up and off the power supply.
6. See [Test Power Supply Resistance, page 37](#). Replace the power supply if necessary. To repair the alternator, see [Alternator Removal and Replacement, page 53](#).
7. *Smart models only*: connect the 6-pin flexible circuit (40) to the power supply.

				
---	---	---	---	---

To prevent damage to the cable and possible interruption of the ground continuity, bend the alternator's 3-wire ribbon cable (PC) upward and back, so the bend faces the power supply and the connector is at the top.

8. Connect the 3-wire ribbon connector (PC) to the power supply. Tuck the ribbon forward, under the power supply. Slide the alternator (15) down onto the power supply (11).
9. Insert the power supply/alternator assembly in the gun handle (16). Make sure the ground strips make contact with the handle. On Smart models,

align the connector of the 6-pin flexible circuit (40) with the socket (CS) at the top of the handle. Push the connector securely into the socket as you slide the power supply/alternator assembly into the handle.

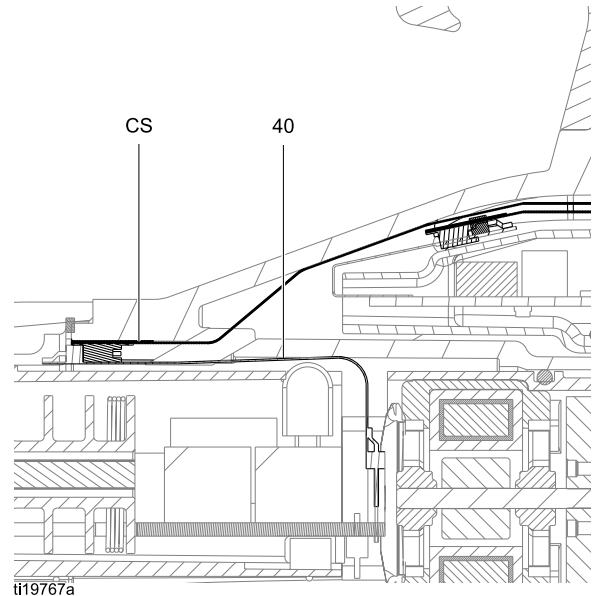


Figure 32 Connect Flexible Circuit

10. Make sure the gasket (5*), ground spring (37a), and power supply spring (11a) are in place. Assemble the barrel (1) to the handle (16). See [Gun Barrel Installation, page 50](#).
11. See [Test Gun Resistance, page 36](#).

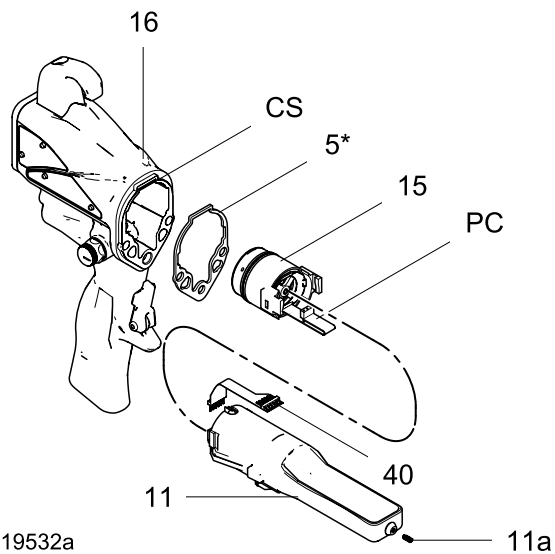


Figure 33 Power Supply

Alternator Removal and Replacement

NOTE: Replace alternator bearings after 2000 hours of operation. Order Part No. 24N706 Bearing Kit. Parts included in the kit are marked with a symbol (◆).

1. See [Prepare the Gun for Service](#), page 47.
2. Remove the power supply/alternator assembly and disconnect the alternator. See [Power Supply Removal and Replacement](#), page 52.
3. Measure resistance between the two outer terminals of the 3-wire connector (PC); it should be 2.0–6.0 ohms. If outside this range, replace the alternator coil (15a).
4. Using a flat blade screwdriver, pry the clip (15h) off the housing (15d). Remove the cap (15f), using a thin blade or screwdriver.
5. If necessary, rotate the fan (15e) so its blades clear the four bearing tabs (T) of the housing (15d).

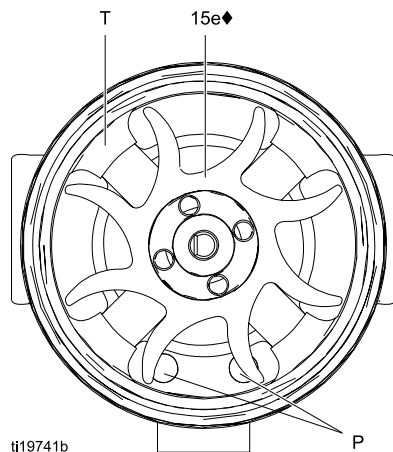


Figure 34 Fan Orientation

6. Push the fan and coil assembly (15a) out the front of the housing (15d).

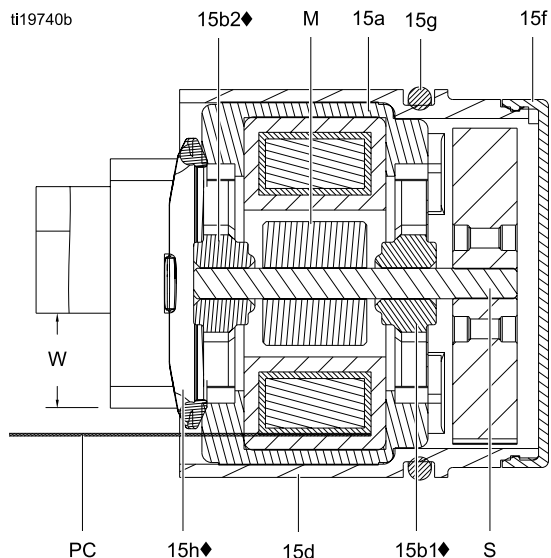


Figure 35 Alternator Cross-Section

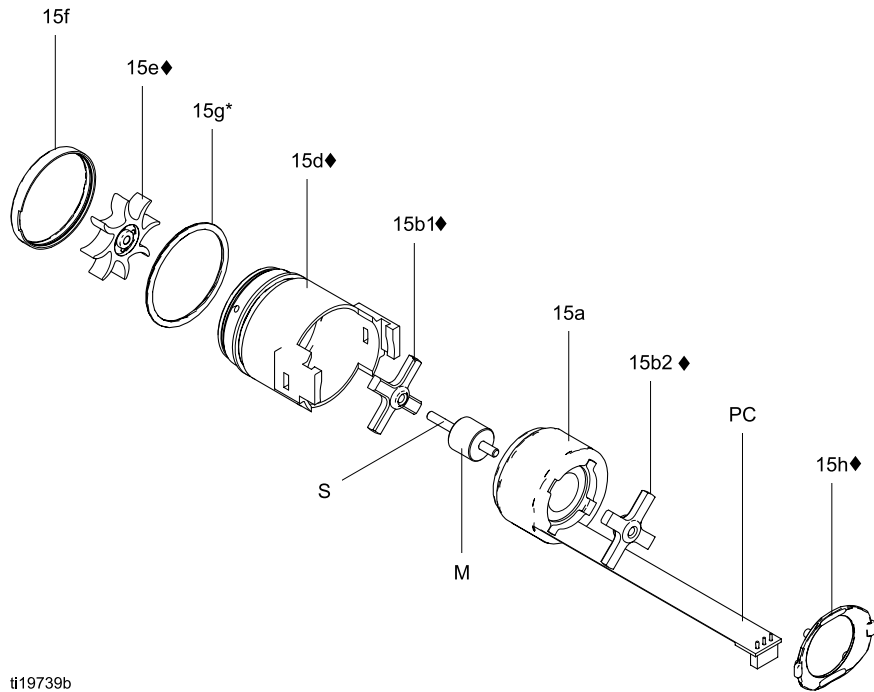
NOTICE

Do not scratch or damage the magnet (M) or shaft (S). Do not pinch or damage the 3-wire connector (PC) when disassembling and reassembling the bearings.

7. Hold the coil assembly (15a) on a workbench with the fan end facing up. Using a wide blade screwdriver, pry the fan (15e) off the shaft (S).
8. Remove the top bearing (15b2).
9. Remove the bottom bearing (15b1).
10. Install the new bottom bearing (15b1◆) on the long end of the shaft (S). The flatter side of the bearing must face away from the magnet (M). Install in the coil (15a) so the bearing blades are flush with the surface of the coil.
11. Press the new top bearing (15b2◆) onto the short end of the shaft so the bearing blades are flush with the surface of the coil (15a). The flatter side of the bearing must face away from the coil.

Repair

12. Hold the coil assembly (15a) on a workbench with the fan end facing up. Press the fan (15e♦) onto the long end of the shaft (S). The fan blades must be oriented as shown.
 13. Carefully press the coil assembly (15a) into the front of the housing (15d♦). The 3-wire connector (PC) must be positioned below the wider notch (W) of the housing tabs, as shown in Fig. 35. Be sure the coil alignment pins (P) are positioned as shown in Fig. 34.
 14. Rotate the fan (15e) so its blades clear the four bearing tabs (T) at the back of the housing.
- Ensure that the blades of the bottom bearing (15b1♦) align with the tabs.
15. Seat the coil fully into the housing (15d♦). Secure with the clip (15h♦), ensuring that its tabs engage the slots in the housing.
 16. Ensure that the o-ring (15g) is in place. Install the cap (15f).
 17. Install the alternator on the power supply, and install both parts in the handle. See [Power Supply Removal and Replacement, page 52](#).



ti19739b

Figure 36 Alternator

Fan Air Adjustment Valve Repair

1. See [Prepare the Gun for Service, page 47](#).
2. Place a wrench on the flats of the valve assembly (30) and unscrew it from the handle (16).

NOTE: You may replace the valve as an assembly (go to step 9) or as individual parts (steps 3-9).

3. Remove the retaining ring (30d).
4. Turn the valve shaft (30b) counterclockwise until it comes free from the valve housing (30a).
5. Remove the o-ring (30c).
6. Clean all parts and inspect for wear or damage.

NOTE: Use non-silicone grease, Part No. 111265. Do not over-lubricate.

7. When reassembling the fan air valve (30), lightly lubricate the valve threads and screw the shaft (30b) fully into the housing (30a) until bottomed. Install the o-ring (30c*), lubricate, and unscrew the valve stem until the o-ring enters the housing.
8. Reassemble the retaining ring (30d). Unscrew the valve stem from the housing until it is stopped by the retaining ring.
9. Screw the valve assembly (30) into the gun handle (16), using a wrench on the flats of the housing. Torque to 15 in-lb (1.7 N•m).

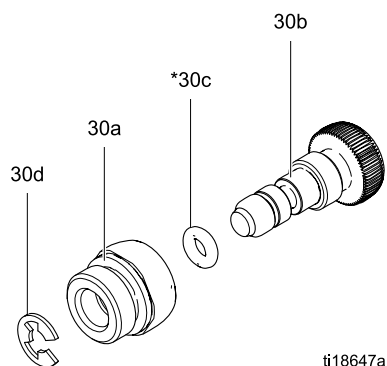


Figure 37 Fan Air Adjustment Valve

Atomizing Air Adjustment Valve Repair

1. See [Prepare the Gun for Service, page 47](#).
2. Place a wrench on the flats of the valve assembly (29) and unscrew it from the handle (16).
3. Inspect the valve assembly. If damaged, install a new valve (29).
4. Before installing the valve assembly in the handle, unscrew the valve stem (29b) from the housing (29a) until it stops.
5. Install the valve assembly into the gun handle. Torque the valve housing (29a) to 15 in-lb (1.7 N•m).

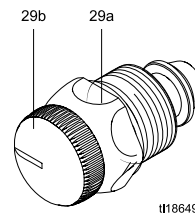


Figure 38 Atomizing Air Adjustment Valve

ES On-Off Valve Repair

1. See [Prepare the Gun for Service, page 47](#).
2. Loosen the captive screw (26p). Remove the valve (26) from the handle.
3. Lubricate the o-rings (26b* and 26g*) with non-silicone grease, Part No. 111265. Do not over-lubricate.

NOTE: Do not over-lubricate parts. Excessive lubricant on the o-rings can be pushed into the gun air passage and blemish the finish on the workpiece.

4. Clean and inspect parts for damage. Replace if necessary.

NOTE: The protrusion on the retainer plate (26f) must point upward.

5. Reinstall the valve. Torque the screw (26p) to 15-25 in-lb (1.7-2.8 N•m).

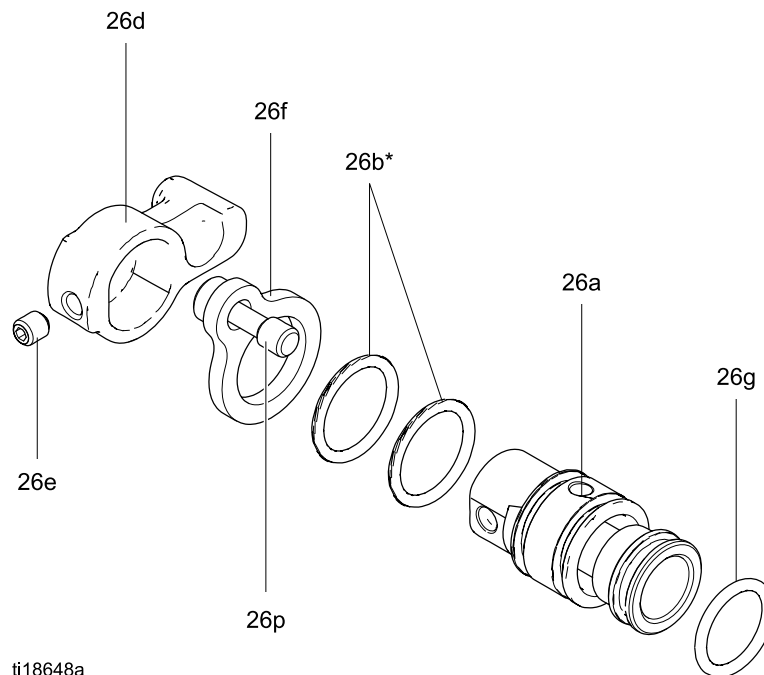


Figure 39 ES On-Off Valve

Air Valve Repair

1. See [Prepare the Gun for Service, page 47](#).
2. See [Gun Barrel Removal, page 50](#).
3. Remove the screws (13) and trigger (12).
4. Remove the ES On-Off Valve. See [ES On-Off Valve Repair, page 56](#).
5. Remove the spring (2).
6. Push on the front of the air valve shaft to force it out the back of the handle. Inspect the rubber seal (23a*) and replace if damaged.
7. Inspect the u-cup (3). Do not remove the u-cup unless damaged. If removed, install the new one with its lips facing into the gun handle (16). Place the u-cup on the shaft of the air valve to help seat it in the gun handle.
8. Install the air valve (23) and spring (2) into the gun handle (16).
9. Install the ES On-Off Valve. See [ES On-Off Valve Repair, page 56](#).
10. Install the trigger (12) and screws (13).
11. See [Gun Barrel Installation, page 50](#).

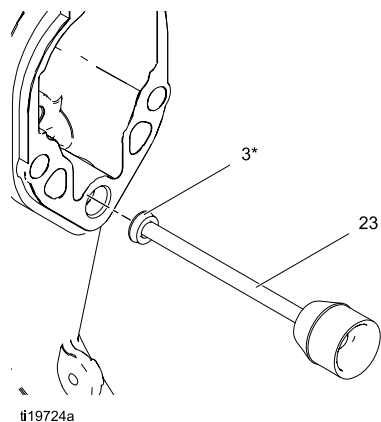
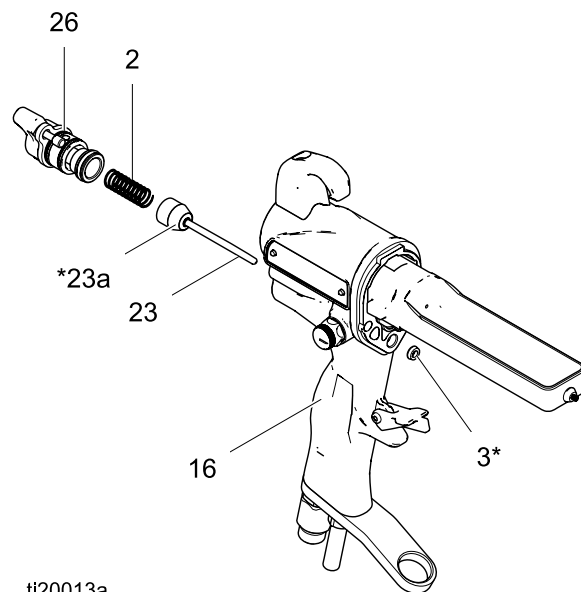


Figure 40 Install U-Cup



ti20013a
Figure 41 Air Valve

Smart Module Replacement

If the Error display appears, the Smart Module has lost communication with the power supply. Check for good connections between the Smart Module and the power supply.

If the module's LEDs are not lighting, replace the module.

1. See [Prepare the Gun for Service, page 47](#).
2. Remove the pivot screw (31e), o-ring (31f), and ES HI/LO switch (31c) at the bottom left corner of the Smart Module cartridge (31a).
3. Remove the remaining three screws (31d) from the cartridge.
4. Pull the Smart Module out the back of the gun. Disconnect the ribbon cable (RC) from the connector (GC) in the gun handle.
5. Remove the gasket (31b).
6. Install a new gasket (31b) on the new cartridge (31a). Make sure the notched corners of the gasket are at the top.
7. Align the module's ribbon cable (RC) with the gun's cable (GC) and slide them securely together, as shown. Tuck the connected cables into the recess of the gun handle. Install the module flush to the back of the gun handle.
8. Install the pivot screw (31e), o-ring (31f), and ES HI/LO switch in the bottom left corner of the cartridge (31a).
9. Install the three remaining screws (31d). Torque to 7–9 in-lb (0.8–1.0 N•m).

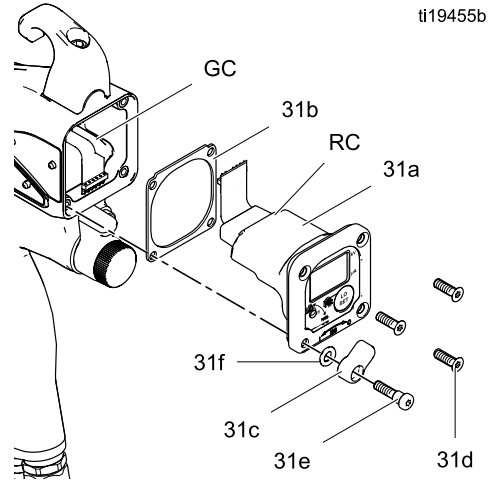


Figure 42 Smart Module

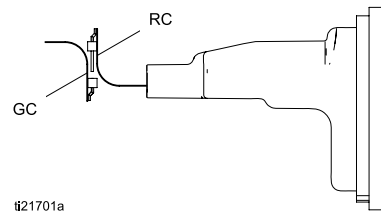
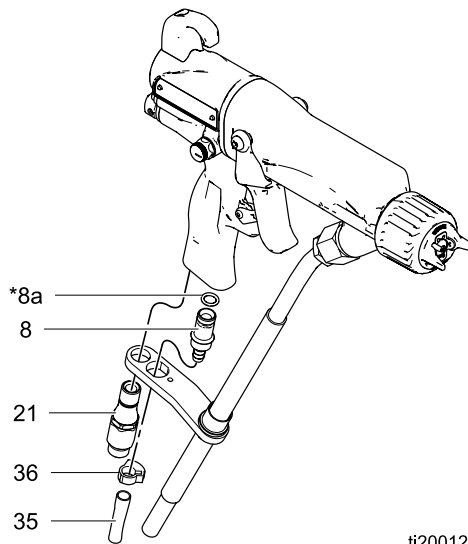


Figure 43 Align Ribbon Cables

Air Swivel and Exhaust Valve Replacement

1. See [Prepare the Gun for Service, page 47](#).
2. To replace the air exhaust valve:
 - a. Remove the clamp (36) and the exhaust tube (35).
 - b. Unscrew the swivel (21) from the gun handle (16). The swivel is a left-hand thread. Move the bracket out of the way.
 - c. Pull the exhaust valve (8) from the handle (16). Inspect the o-ring (8a) and replace if necessary.
 - d. Install the o-ring (8a*) on the exhaust valve (8). Lubricate the o-ring with a light coating of non-silicone grease.
 - e. Install the exhaust valve (8) in the handle (16).
 - f. Apply thread sealant to the top threads of the swivel (21). Position the bracket and screw the swivel into the gun handle (16). Torque to 75–85 in-lb (8.4–9.6 N•m).
 - g. Install the tube (36) and clamp (43).
3. To replace the air inlet swivel:



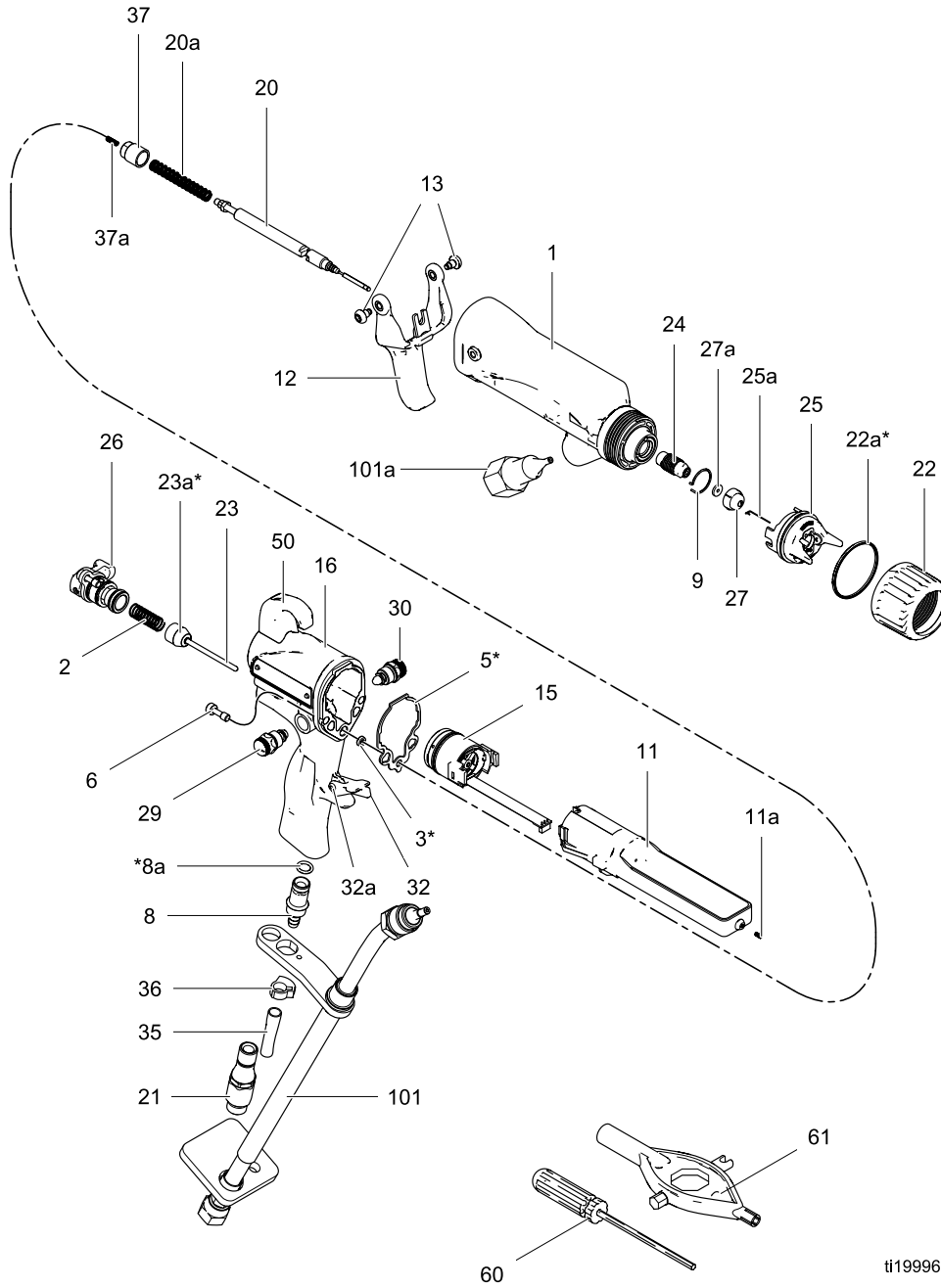
ti20012a

Figure 44 Air Inlet Fitting and Air Exhaust Valve

Parts

Standard Air-Assisted Spray Gun Assembly

Part No. H60T18 60 kV Electrostatic Air-Assisted Spray Gun, Series A, includes items 1–61
 Part No. 24M508 Unshielded Waterborne Fluid Hose (101), sold separately



ti19996a

Part No. H60T18 60 kV Electrostatic Air-Assisted Spray Gun, Series A, includes items 1–61
 Part No. 24M508 Unshielded Waterborne Fluid Hose (101), sold separately

Ref. No.	Part No.	Description	Qty
1	24N745	BODY, gun	1
2	185116	SPRING, compression	1
3*	188749	PACKING, u-cup	1
5*	24N699	GASKET, body	1
6	24N740	SCREW, hex socket; package of 2	1
7	24N742	BRACKET	1
8	249323	VALVE, exhaust	1
8a*	112085	O-RING	1
9	24N747	RING, conductive	1
11	24N662	POWER SUPPLY, 60 kV gun	1
11a	24N979	SPRING	1
12	24N663	TRIGGER; includes item 13	1
13	24A445	SCREW, trigger; package of 2	1
15	24N664	See Alternator Assembly, page 67	1
16	24P746	HANDLE; 60 kV AA gun	1
20	24N781	NEEDLE ASSEMBLY; includes item 20a	1
20a	24N782	SPRING, fluid needle	1
21	24N626	SWIVEL, air inlet; M12 x 1/4 npsm(m); left-hand thread	1
22	24N793	RING, retainer; includes 22a	1
22a*	198307	PACKING, u-cup; UHMWPE; part of 22	1
23	24N633	VALVE, air	1
23a*	276733	SEAL	1
24	24N725	HOUSING, seat	1
25	24N727	See Air Cap Assembly, page 70	1
25a	24N643	ELECTRODE; package of 5	1
26	24N632	See ES On-Off Valve Assembly, page 68	1

▲ Replacement Danger and Warning labels, tags, and cards are available at no cost.

* These parts are included in Air Seal Repair Kit 24N789 (purchase separately).

Ref. No.	Part No.	Description	Qty
27	AEMxxx AEFxxx	TIP ASSEMBLY; customer's choice; includes item 27a	1
27a	183459	GASKET, tip	1
29	24N792	ATOMIZING AIR ADJUSTMENT VALVE	1
30	24N634	See Fan Air Valve Assembly, page 69	1
32	24E404	STOP, trigger; includes item 32a	1
32a	— — —	PIN, dowel	1
35	185103	TUBE, exhaust; 1/4 in. (6 mm) ID (shipped loose)	1
36	110231	CLAMP	1
37	24N785	CAP, spring; includes item 37a	1
37a	197624	SPRING, compression	1
38	24N786	PLUG, fan control; option, shipped loose for use in place of item 29	1
50	24N783	HOOK; includes screw	1
51	112080	TOOL, needle (shipped loose)	1
54	24N604	COVER, gun; package of 10	1
55▲	222385	CARD, warning (not shown)	1
56▲	186118	SIGN, warning (not shown)	1
57	116553	GREASE, dielectric; 1 oz (30 ml) tube (not shown)	1
58	117824	GLOVE, conductive, medium; package of 12; also available in small (117823) and large (117825)	1
60	107460	TOOL, wrench, ball end (shipped loose)	1
61	276741	MULTI-TOOL (shipped loose)	1
101	24M508	HOSE, unshielded, waterborne fluid; includes 101a	1
101a	— — —	CONNECTOR, barrel	1

Parts labeled — — — are not available separately.

Part No. H60M18 60 kV Electrostatic Air-Assisted Spray Gun, Series A, includes items 1–61

Part No. 24M508 Unshielded Waterborne Fluid Hose (101), sold separately

Ref. No.	Part No.	Description	Qty
1	24N745	BODY, gun	1
2	185116	SPRING, compression	1
3*	188749	PACKING, u-cup	1
5*	24N699	GASKET, body	1
6	24N740	SCREW, hex socket; package of 2	1
7	24N742	BRACKET	1
8	249323	VALVE, exhaust	1
8a*	112085	O-RING	1
9	24N747	RING, conductive	1
11	24N662	POWER SUPPLY, 60 kV gun	1
11a	24N979	SPRING	1
12	24N663	TRIGGER; includes item 13	1
13	24A445	SCREW, trigger; package of 2	1
15	24N664	See Alternator Assembly, page 67	1
16	24P745	HANDLE, smart; 60 kV AA gun	1
20	24N781	NEEDLE ASSEMBLY; includes item 20a	1
20a	24N782	SPRING, fluid needle	1
21	24N626	SWIVEL, air inlet; M12 x 1/4 npsm(m); left-hand thread	1
22	24N793	RING, retainer; includes 22a	1
22a*	198307	PACKING, u-cup; UHMWPE; part of 22	1
23	24N633	VALVE, air	1
23a*	276733	SEAL	1
24	24N725	HOUSING, seat	1
25	24N727	See Air Cap Assembly, page 70	1
25a	24N643	ELECTRODE; package of 5	1
26	24N632	See ES On-Off Valve Assembly, page 68	1
27	AEMxxx AEFxxx	TIP ASSEMBLY; customer's choice; includes item 27a	1

Ref. No.	Part No.	Description	Qty
27a	183459	GASKET, tip	1
29	24N792	ATOMIZING AIR ADJUSTMENT VALVE	1
30	24N634	See Fan Air Valve Assembly, page 69	1
31	24N756	See Smart Module Assembly, page 70	1
32	24E404	STOP, trigger; includes item 32a	1
32a	— — —	PIN, dowel	1
35	185103	TUBE, exhaust; 1/4 in. (6 mm) ID (shipped loose)	1
36	110231	CLAMP	1
37	24N785	CAP, spring; includes item 37a	1
37a	197624	SPRING, compression	1
38	24N786	PLUG, fan control; option, shipped loose for use in place of item 29	1
40	245265	CIRCUIT, flexible	1
50	24N783	HOOK; includes screw	1
51	112080	TOOL, needle (shipped loose)	1
54	24N604	COVER, gun; package of 10	1
55▲	222385	CARD, warning (not shown)	1
56▲	186118	SIGN, warning (not shown)	1
57	116553	GREASE, dielectric; 1 oz (30 ml) tube (not shown)	1
58	117824	GLOVE, conductive, medium; package of 12; also available in small (117823) and large (117825)	1
60	107460	TOOL, wrench, ball end (shipped loose)	1
61	276741	MULTI-TOOL (shipped loose)	1
101	24M508	HOSE, unshielded, waterborne fluid; includes 101a	1
101a	— — —	CONNECTOR, barrel	1

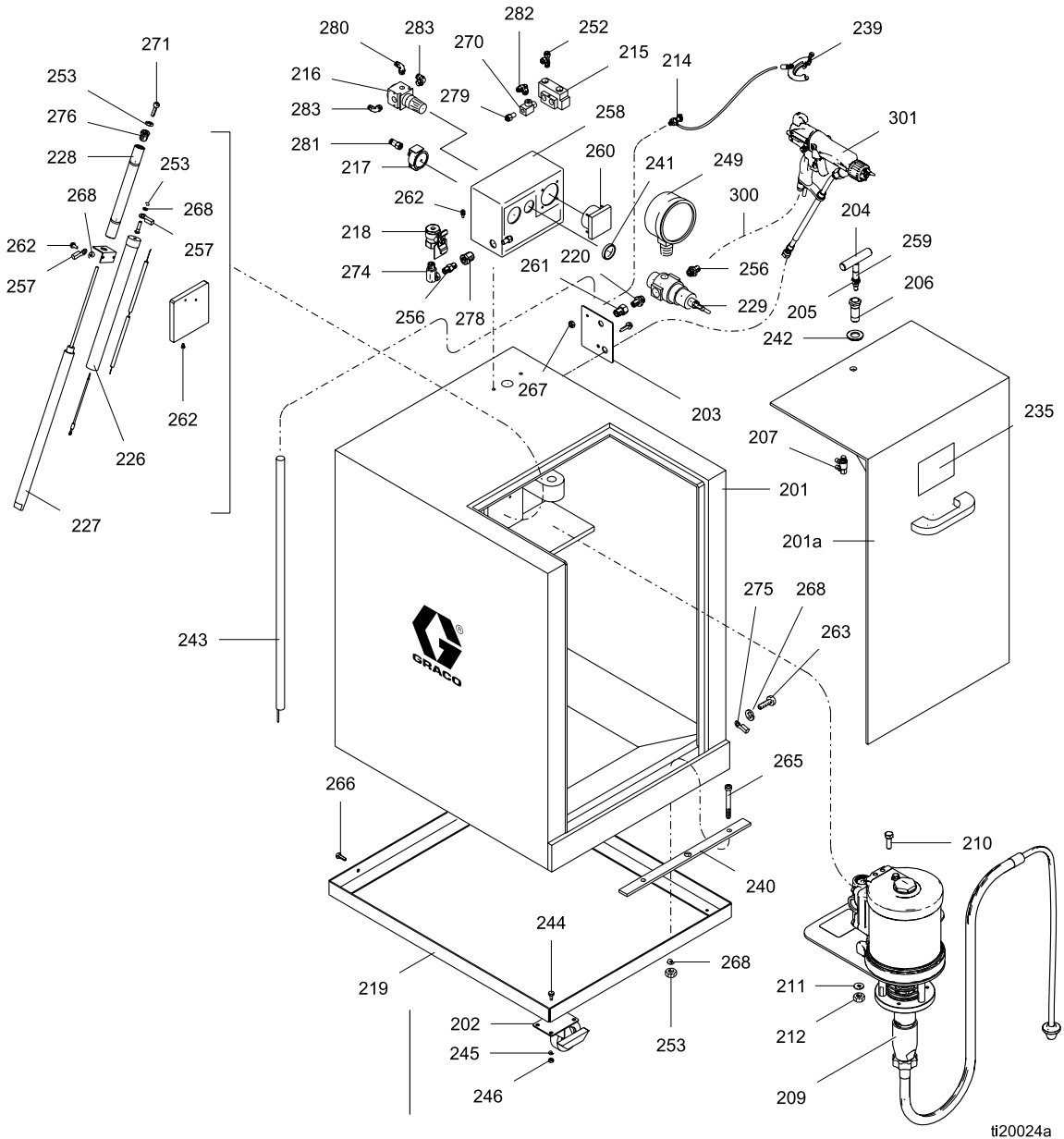
▲ Replacement Danger and Warning labels, tags, and cards are available at no cost.

* These parts are included in Air Seal Repair Kit 24N789 (purchase separately).

Parts labeled — — — are not available separately.

Isolation Enclosure

Part No. 24N550 Waterborne Isolation Enclosure, for use with unshielded waterborne fluid hose; includes items 201–286



ti20024a

Part No. 24N550 Waterborne Isolation Enclosure, for use with unshielded waterborne fluid hose; includes items 201–286

Ref. No.	Part No.	Description	Qty
201	— — —	CABINET; includes 201a	1
201a	15A947	DOOR, cabinet	1
202	116993	CASTER, brake	4
203	— — —	PLATE	1
204	15A551	T-HANDLE, latch	1
205	15A545	STEM, handle, door	1
206	15A524	HOUSING, latch	1
207	113061	SWITCH, push, air	1
209	24N548	PUMP; see 3A0732	1
210	— — —	SCREW, hex hd cap; 5/16–18 x 5.5 in. (140 mm)	4
211	— — —	WASHER, plain; 0.344 in. ID	4
212	— — —	NUT, lock; 5/16–18	4
214	104029	LUG, ground	1
215	116989	VALVE, air	1
216	111804	REGULATOR, air	1
217	113060	GAUGE, air; 1/8 npt	1
218	116473	BALL VALVE; 1/4 npt(f)	1
219	233824	CART	1
220	162453	NIPPLE; 1/4 npt x 1/4 npsm	1
226	190410	RESISTOR, bleed	1
227	116988	CYLINDER ROD	1
228	15A518	HOUSING, cylinder rod	1
229	104267	REGULATOR, air	1
230	— — —	BUSHING; plastic; 3/4 x 1/2 npt	1
235▲	15A682	LABEL, warning	1
238	114958	STRAP, tie	5
239	222011	GROUND WIRE; 25 ft (7.6 m)	1
240	234018	STRIP, grounding; aluminum	1
241	110209	NUT, regulator	11

Ref. No.	Part No.	Description	Qty
242	114051	WASHER, shim, ;atch	1
243	210084	ROD, ground	1
244	— — —	SCREW, hex hd; 1/4–20 x 5/8 in. (16 mm)	16
245	— — —	WASHER, plain; 1/4 in. (6 mm)	16
246	— — —	NUT, hex; 1/4–20	16
247	107257	SCREW, thread-forming	1
248	— — —	TUBE; 1/4 in. (6 mm) OD; nylon	A/R
249	160430	GAUGE, air	1
251	— — —	WIRE, 10 gauge; green with yellow stripe	1
252	— — —	CONNECTOR, swivel tee; 1/8 npt x 5/32 in. (4 mm) tube	1
253	— — —	NUT, hex; 10–32	5
256	162449	NIPPLE, reducing; 1/2 npt x 1/4 npt	2
257	101874	TERMINAL, ring	5
258	116990	BOX, control	1
259	113983	RING, retaining; 1/2 in. (13 mm)	1
260	237933	METER, 0–90 kV	1
261	113336	ADAPTER; 1/4 npt	1
262	— — —	SCREW, pan hd; 10–32 x 5/8 in. (16 mm)	2
263	— — —	SCREW, pan hd; 10–32 x 1/4 in. (6 mm)	1
264	— — —	HOLDER, tie	3
265	— — —	SCREW, button hd; 10–24 x 1.5 in. (38 mm)	2
266	— — —	SCREW, button hd; 10–32 x 1.0 in. (25 mm)	4
267	— — —	NUT, hex; M5 x 0.8	1
268	— — —	WASHER, lock; no. 10	9

Parts

Ref. No.	Part No.	Description	Qty
270	116991	TEE, run, manifold	1
271	203953	SCREW, hex hd cap with patch; 10-24 x 3/8 in. (10 mm)	1
272	— — —	WIRE, 14 gauge; red	A/R
273	— — —	WIRE, ground, 14 gauge; green with yellow stripe	A/R
274	155541	UNION, swivel; 1/4 npt	1
275	114261	TERMINAL, ring; no. 10	1
276	15A780	PLUG, hex hd	1
278	117314	BULKHEAD CONNECTOR; 1/4 npt	1
279	113319	CONNECTOR, tube; 1/4 npt x 3/8 in. (10 mm) OD tube	2
280	— — —	ELBOW, tube	1
281	— — —	FITTING, tube; 1/8 npt x 5/32 in. (4 mm) OD tube	1

Ref. No.	Part No.	Description	Qty
282	— — —	SWIVEL, tube; 1/4 npt x 1/4 in. (6 mm) OD tube	4
283	— — —	SWIVEL, tube; 1/8 npt x 5/32 in. (4 mm) OD tube	2
286	— — —	TUBE; 3/8 in. (10 mm) OD	A/R
300★	235070	HOSE, air, grounded; 0.315 in. (8 mm) ID; 1/4 npsm(f) x 1/4 npsm(f) left-hand thread; red cover with stainless steel braid ground path; 25 ft (7.6 m) long	1
301★	H60T18	GUN; see Standard Air-Assisted Spray Gun Assembly, page 60	1
	H60M18	GUN; see Smart Air-Assisted Spray Gun Assembly, page 62	1

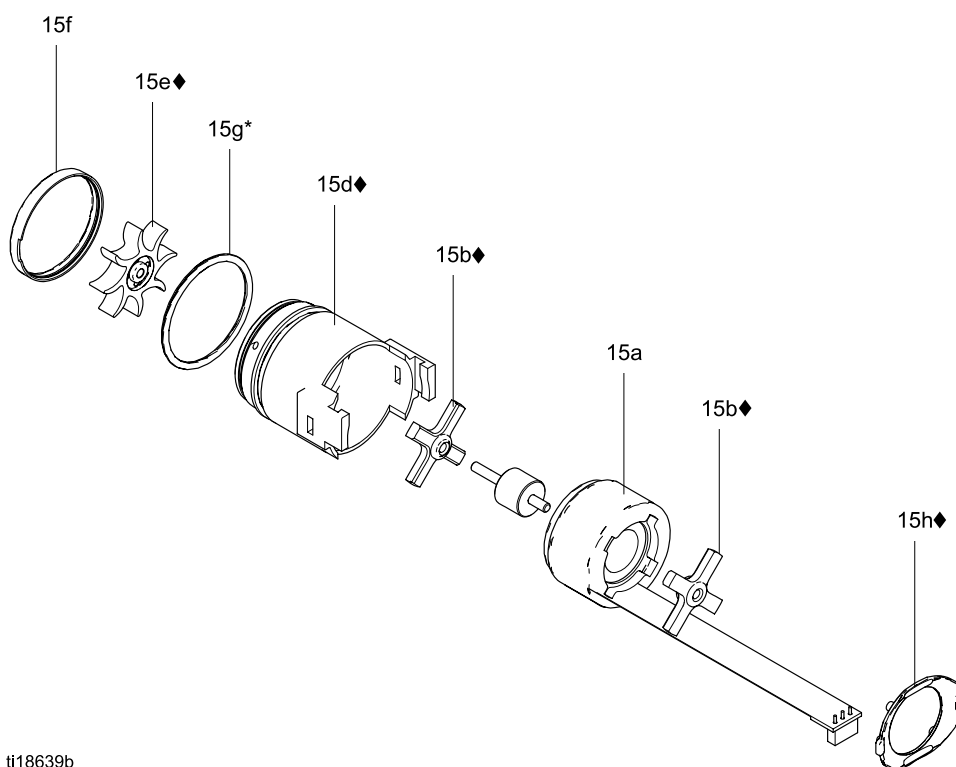
▲ Replacement Danger and Warning labels, tags, and cards are available at no cost.

★ The air hose (300) and gun (301) are not included with the 24N550 Isolation Enclosure. They are shown

for illustrative purposes only. See page 3 for a list of models which include an air hose and gun.

Alternator Assembly

Part No. 24N664 Alternator Assembly



ti18639b

Ref. No.	Part No.	Description	Qty
15a	24N705	COIL, alternator	1
15b◆	24N706	BEARING KIT (includes two bearings, item 15e fan, and one item 15h clip)	1
15d◆	24N707	HOUSING; includes item 15f	1
15e◆	— — —	FAN; part of item 15b	1

Ref. No.	Part No.	Description	Qty
15f	— — —	CAP, housing; part of item 15d	1
15g*	110073	O-RING	1
15h◆	24N709	CLIP; package of 5 (one clip included with item 15b)	1

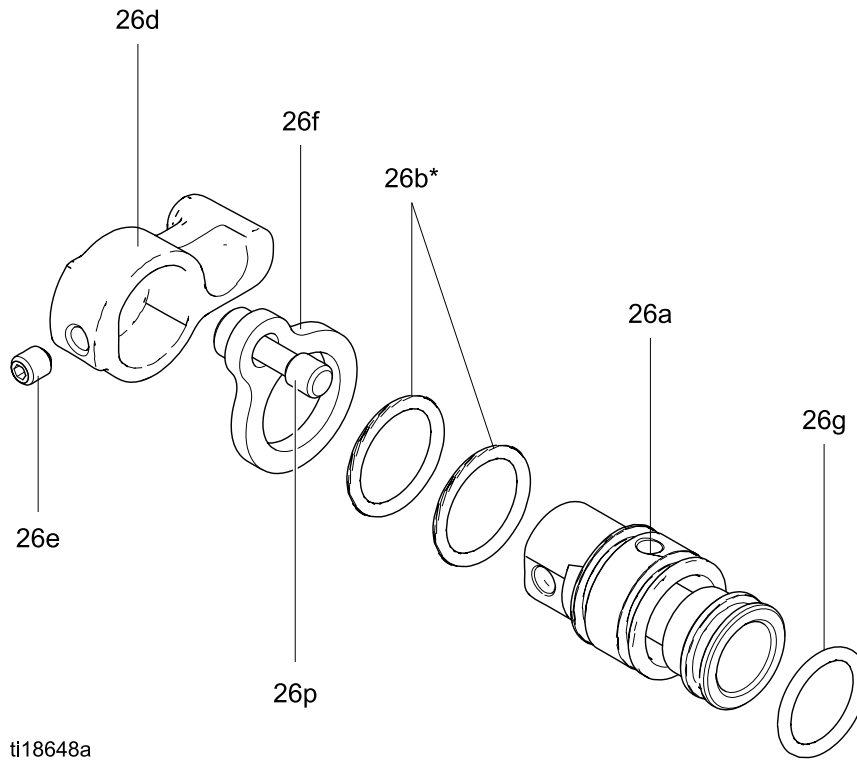
* These parts are included in Air Seal Repair Kit 24N789 (purchase separately).

◆ These parts are included in Bearing Kit 24N706 (purchase separately).

Parts labeled — — — are not available separately.

ES On-Off Valve Assembly

Part No. 24N632 ES On-Off Valve Assembly



ti18648a

Ref. No.	Part No.	Description	Qty
26a	— — —	HOUSING, valve	1
26b*	15D371	O-RING	2
26c	— — —	PISTON, valve	1
26d	24N650	LEVER, ES on-off; includes item 26e	1

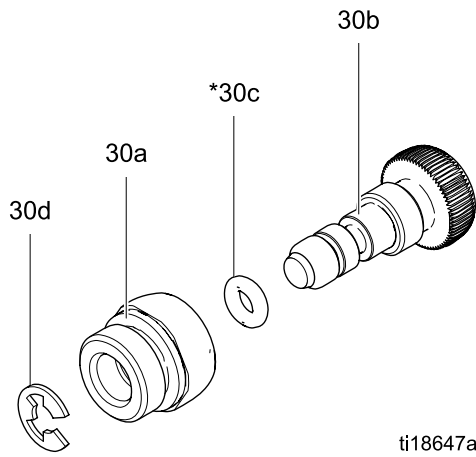
Ref. No.	Part No.	Description	Qty
26e	— — —	SCREW, set, socket head	2
26f	24N631	PLATE, retaining	1
26g*	113746	O-RING	1
26p	— — —	SCREW, captive	1

* These parts are included in Air Seal Repair Kit 24N789 (purchase separately).

Parts labeled — — — are not available separately.

Fan Air Valve Assembly

Part No. 24N634 Fan Air Valve Assembly



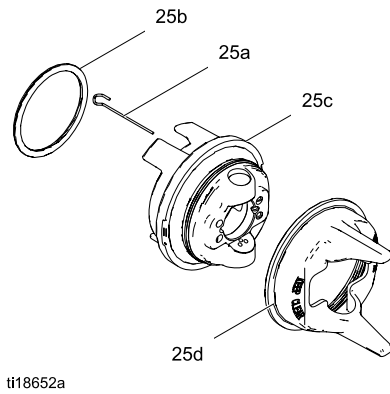
Ref. No.	Part No.	Description	Qty
30a	— — —	NUT, valve	1
30b	— — —	STEM, valve	1
30c*	111504	O-RING	1
30d	24N646	RING, retaining; package of 6	1

* These parts are included in Air Seal Repair Kit 24N789 (purchase separately).

Parts labeled — — — are not available separately.

Air Cap Assembly

Part No. 24N727 Air Cap Assembly



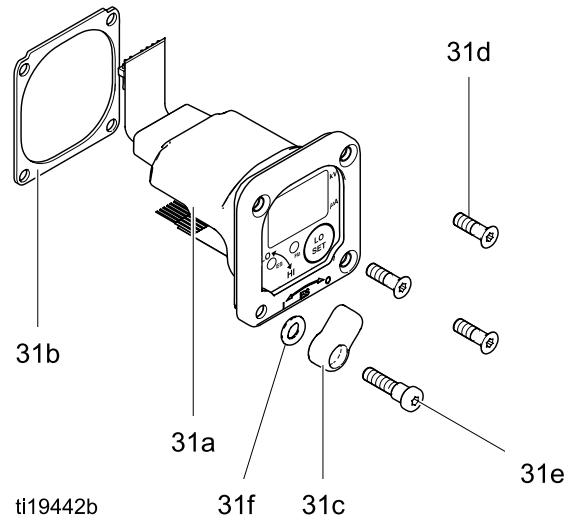
ti18652a

Ref. No.	Part No.	Description	Qty
25a	24N643	ELECTRODE; package of 5	1
25b	24N734	O-RING; pffe; package of 5 (also available in package of 10; order 24E459)	1
25c	— — —	AIR CAP	1
25d	24N726	GUARD, tip, orange	1

Parts labeled — — — are not available separately.

Smart Module Assembly

Part No. 24N756 Smart Module Assembly



ti19442b

Ref. No.	Part No.	Description	Qty
31a	— — —	CARTRIDGE	1
31b	24P433	GASKET	1
31c	24N787	SWITCH, ES HI/LO	1
31d♦	— — —	SCREW	3
31e♦	— — —	SCREW, pivot	1
31f	112319	O-RING	1

Parts labeled — — — are not available separately.

♦ These parts are included in Smart Module Screw Kit 24N757 (purchase separately).

Spray Tip Selection Chart

AEM Fine Finish Spray Tips

Recommended for high finish quality applications at low and medium pressures. Order desired tip, **Part No. AEMxxx**, where xxx = 3-digit number from the matrix below.

Orifice Size in. (mm)	Fluid Output fl oz/min (l/min)		Maximum Pattern Width at 12 in. (305 mm) in. (mm)							
	at 600 psi (4.1 MPa, 41 bar)	at 1000 psi (7.0 MPa, 70 bar)	2-4 (50- 100)	4-6 (100- 150)	6-8 (150- 200)	8-10 (200- 250)	10-12 (250- 300)	12-14 (300- 350)	14-16 (350- 400)	16-18 (400- 450)
			Spray Tip							
† 0.007 (0.178)	4.0 (0.1)	5.2 (0.15)	107	207	307					
† 0.009 (0.229)	7.0 (0.2)	9.1 (0.27)		209	309	409	509	609		
† 0.011 (0.279)	10.0 (0.3)	13.0 (0.4)		211	311	411	511	611	711	
0.013 (0.330)	13.0 (0.4)	16.9 (0.5)		213	313	413	513	613	713	813
0.015 (0.381)	17.0 (0.5)	22.0 (0.7)		215	315	415	515	615	715	815
0.017 (0.432)	22.0 (0.7)	28.5 (0.85)		217	317	417	517	617	717	
0.019 (0.483)	28.0 (0.8)	36.3 (1.09)			319	419	519	619	719	
0.021 (0.533)	35.0 (1.0)	45.4 (1.36)				421	521	621	721	821
0.023 (0.584)	40.0 (1.2)	51.9 (1.56)				423	523	623	723	823
0.025 (0.635)	50.0 (1.5)	64.8 (1.94)				425	525	625	725	825
0.029 (0.736)	68.0 (1.9)	88.2 (2.65)								829
0.031 (0.787)	78.0 (2.2)	101.1 (3.03)				431		631		831
0.033 (0.838)	88.0 (2.5)	114.1 (3.42)								833
0.037 (0.939)	108.0 (3.1)	140.0 (4.20)							737	
0.039 (0.990)	118.0 (3.4)	153.0 (4.59)					539			

* Tips are tested in water.

Fluid output (Q) at other pressures (P) can be calculated by this formula: $Q = (0.041) (QT) \sqrt{P}$ where QT = fluid output (fl oz/min) at 600 psi from the above table for the selected orifice size.

† These tip sizes include a 150 mesh filter.

Spray Tip Selection Chart

AEF Fine Finish Pre-Orifice Spray Tips

Recommended for high finish quality applications at low and medium pressures. AEF tips have a pre-orifice that assists in atomizing shear thinning materials, including lacquers.

Order desired tip, **Part No. AEFxxx**, where xxx = 3-digit number from the matrix below.

Orifice Size in. (mm)	Fluid Output fl oz/min (l/min)		Maximum Pattern Width at 12 in. (305 mm) in. (mm)					
	at 600 psi (4.1 MPa, 41 bar)	at 1000 psi (7.0 MPa, 70 bar)	6-8 (150- 200)	8-10 (200-250)	10-12 (250-300)	12-14 (300-350)	14-16 (350-400)	16-18 (400-450)
			Spray Tip					
† 0.010 (0.254)	9.5 (0.28)	12.5 (0.37)	310	410	510	610	710	
0.012 (0.305)	12.0 (0.35)	16.0 (0.47)	312	412	512	612	712	812
0.014 (0.356)	16.0 (0.47)	21.0 (0.62)	314	414	514	614	714	814
0.016 (0.406)	20.0 (0.59)	26.5 (0.78)		416	516	616	716	
* Tips are tested in water.								
Fluid output (Q) at other pressures (P) can be calculated by this formula: $Q = (0.041) (QT) \sqrt{P}$ where QT = fluid output (fl oz/min) at 600 psi from the above table for the selected orifice size.								
† These tip sizes include a 150 mesh filter.								

Repair Kits, Related Manuals, and Accessories

Gun Part No.	Description	Manual Description	Repair Kits	Repair Kit Description
All guns in this manual.	60 kV Waterborne Air-Assisted Spray Guns	Electrostatic Waterborne Air-Assisted Spray Guns, Instructions-Parts	24N789	Air Seal Repair Kit
			24N706	Alternator Bearing Repair Kit

Operator Accessories

Gun Accessories

Part No.	Description
105749	Cleaning Brush.
111265	Non-silicone Lubricant, 4 oz (113 g).
116553	Dielectric Grease. 1 oz (30 ml)
24N319	Round Spray Kit. To convert a standard air—assisted spray gun to a round spray air cap. See manual 3A2499.
24N604	Gun Covers. Box of 10.
24N758	Display Covers. Keeps Smart display clean. Package of 5.
24P170	Metal Trigger Kit.
24P172	Quick Adjust Valve. For quick change of fan size.
185105	Non-swivel Air Inlet; 1/4–18 npsm(m) (left-hand thread)
24N642	Air Inlet Ball Swivel; 1/4–18 npsm(m) (left-hand thread)
185493	Air Hose Adapter; 1/4 npt(m) x 1/4–18 npsm(m) (left-hand thread)
112534	Air Line Quick Disconnect Fitting.

Part No.	Description
117823	Conductive Gloves, box of 12 (small)
117824	Conductive Gloves, box of 12 (medium)
117825	Conductive Gloves, box of 12 (large)
24N520	Comfort Grip. Snap-on grip increases handle size to reduce operator fatigue. Medium size.
24N521	Comfort Grip. Snap-on grip increases handle size to reduce operator fatigue. Large size.

System Accessories

Part No.	Description
222011	Ground Wire and Clamp.
186118	English Warning Sign. Available at no charge from Graco.

Hoses

Grounded Air Hoses

100 psi (0.7 MPa, 7 bar) Maximum Working Pressure

0.315 in. (8 mm) ID; 1/4 npsm(f) x 1/4 npsm(f)
left-hand thread

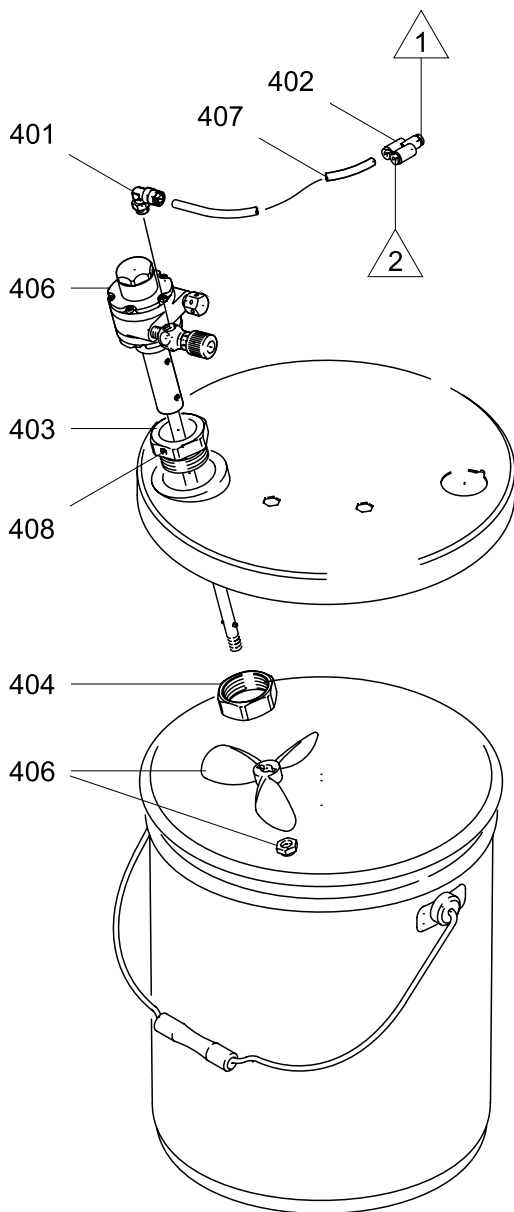
Part No.	Description
Grounded Air Hose with stainless steel braid ground path (Red)	
235068	6 ft (1.8 m)
235069	15 ft (4.6 m)
235070	25 ft (7.6 m)
235071	36 ft (11 m)
235072	50 ft (15 m)
235073	75 ft (23 m)
235074	100 ft (30.5 m)

Test Equipment

Part No.	Description
241079	Megohmmeter. 500 V output, 0.01–2000 megohms. Use for ground continuity and gun resistance tests. Not for use in hazardous areas.
245277	Test Fixture, High Voltage Probe, and kV Meter. Use to test the electrostatic voltage of the gun, and the condition of the alternator and power supply when being serviced. See manual 309455.

245895 Agitator Kit

To keep fluid mixed and prevent settling out. Includes items 401–408.



ti2137a

Ref. No.	Part No.	Description	Qty
401	112698	ELBOW, swivel; 1/8 npt(m) x 1/4 in. (6 mm) OD tube	1
402	114158	FITTING, adapter, Y; 1/4 in. (6 mm) OD tube; mxxf	1
403	193315	COLLAR, mounting, agitator	1
404	193316	NUT, collar, agitator	1
405	197298	COVER, pail; 5 gal. (19 liter)	1
406	224571	AGITATOR; see manual 306565	1
407	purchase locally	TUBE, nylon; 1/4 in. (6 mm) OD; 4 ft (1.22 m)	1
408	110272	SCREW, set, socket hd; 1/4–20 x 1/4 in. (6 mm)	1

Dimensions

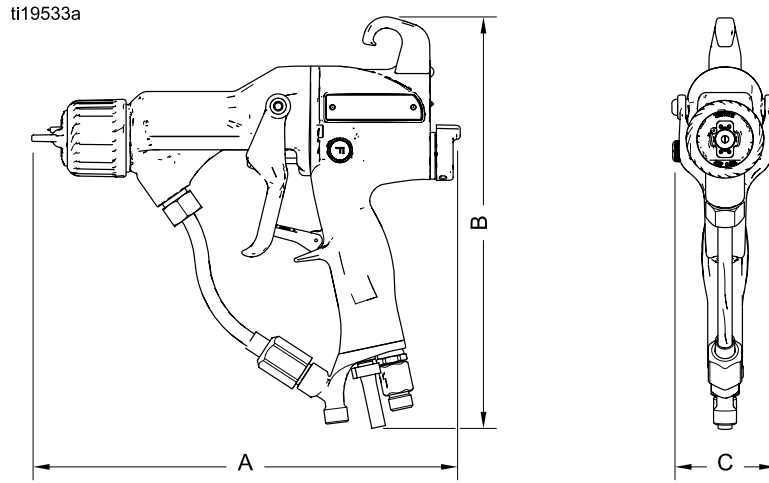


Figure 45

Gun Model	A, in. (mm)	B, in. (mm)	C, in. (mm)	Weight without bracket, oz (g)
H60T18	10.7 (272)	8.9 (226)	2.4 (61)	22.0 (623)
H60M18	10.8 (274)	9.6 (244)	2.4 (61)	24.4 (692)

Technical Data

Electrostatic Air—Assisted Spray Waterborne Guns		
	U.S.	Metric
Maximum Working Fluid Pressure	3000 psi	21 MPa, 210 bar
Maximum Working Air Pressure	100 psi	0.7 MPa, 7.0 bar
Minimum Air Pressure at Gun Inlet	45 psi	0.32 MPa, 3.2 bar
Maximum Fluid Operating Temperature	120°F	48°C
Short Circuit Current Output	125 microamperes	
Voltage Output Energy	0.35 J with fluid hose 24M508 installed. H60T18: 60 kV H60M18: 30–60 kV	
Sound Power (measured per ISO Standard 9216)	at 40 psi: 90.4 dB(A) at 100 psi: 105.4 dB(A)	at 0.28 MPa, 2.8 bar: 90.4 dB(A) at 0.7 MPa, 7.0 bar: 105.4 dB(A)
Sound Pressure (measured 1 m from gun)	at 40 psi: 87.0 dB(A) at 100 psi: 99.0 dB(A)	at 0.28 MPa, 2.8 bar: 87.0 dB(A) at 0.7 MPa, 7.0 bar: 99.0 dB(A)
Air Inlet Fitting	1/4 npsm(m) left-hand thread	
Fluid Inlet Fitting	Custom inlet for Graco waterborne fluid hose.	
Isolation Enclosure Air Inlet Fitting	1/4 npt	
Isolation Enclosure Fluid Inlet Fitting	3/8 in. OD tube fitting	10 mm OD tube fitting
Wetted Parts	Gun: Stainless Steel, PEEK, UHMWPE, Fluoroelastomer, Acetal, Nylon, Polyethylene, Tungsten Wire Waterborne Fluid Hose: PTFE Suction Tube: Polyethylene, Stainless Steel Merkur Pump: See manual 3A0732.	

Graco Pro Xp Warranty

Graco warrants all equipment referenced in this document which is manufactured by Graco and bearing its name to be free from defects in material and workmanship on the date of sale to the original purchaser for use. With the exception of any special, extended, or limited warranty published by Graco, Graco will, for a period of twelve months from the date of sale, repair or replace any part of the equipment determined by Graco to be defective. However, any deficiency in the barrel, handle, trigger, hook, internal power supply, and alternator (excluding turbine bearings) will be repaired or replaced for thirty-six months from the date of sale. This warranty applies only when the equipment is installed, operated and maintained in accordance with Graco's written recommendations.

This warranty does not cover, and Graco shall not be liable for general wear and tear, or any malfunction, damage or wear caused by faulty installation, misapplication, abrasion, corrosion, inadequate or improper maintenance, negligence, accident, tampering, or substitution of non-Graco component parts. Nor shall Graco be liable for malfunction, damage or wear caused by the incompatibility of Graco equipment with structures, accessories, equipment or materials not supplied by Graco, or the improper design, manufacture, installation, operation or maintenance of structures, accessories, equipment or materials not supplied by Graco.

This warranty is conditioned upon the prepaid return of the equipment claimed to be defective to an authorized Graco distributor for verification of the claimed defect. If the claimed defect is verified, Graco will repair or replace free of charge any defective parts. The equipment will be returned to the original purchaser transportation prepaid. If inspection of the equipment does not disclose any defect in material or workmanship, repairs will be made at a reasonable charge, which charges may include the costs of parts, labor, and transportation.

THIS WARRANTY IS EXCLUSIVE, AND IS IN LIEU OF ANY OTHER WARRANTIES, EXPRESS OR IMPLIED, INCLUDING BUT NOT LIMITED TO WARRANTY OF MERCHANTABILITY OR WARRANTY OF FITNESS FOR A PARTICULAR PURPOSE.

Graco's sole obligation and buyer's sole remedy for any breach of warranty shall be as set forth above. The buyer agrees that no other remedy (including, but not limited to, incidental or consequential damages for lost profits, lost sales, injury to person or property, or any other incidental or consequential loss) shall be available. Any action for breach of warranty must be brought within two (2) years of the date of sale.

GRACO MAKES NO WARRANTY, AND DISCLAIMS ALL IMPLIED WARRANTIES OF MERCHANTABILITY AND FITNESS FOR A PARTICULAR PURPOSE, IN CONNECTION WITH ACCESSORIES, EQUIPMENT, MATERIALS OR COMPONENTS SOLD BUT NOT MANUFACTURED BY GRACO. These items sold, but not manufactured by Graco (such as electric motors, switches, hose, etc.), are subject to the warranty, if any, of their manufacturer. Graco will provide purchaser with reasonable assistance in making any claim for breach of these warranties.

In no event will Graco be liable for indirect, incidental, special or consequential damages resulting from Graco supplying equipment hereunder, or the furnishing, performance, or use of any products or other goods sold hereto, whether due to a breach of contract, breach of warranty, the negligence of Graco, or otherwise.

FOR GRACO CANADA CUSTOMERS

The Parties acknowledge that they have required that the present document, as well as all documents, notices and legal proceedings entered into, given or instituted pursuant hereto or relating directly or indirectly hereto, be drawn up in English. Les parties reconnaissent avoir convenu que la rédaction du présent document sera en Anglais, ainsi que tous documents, avis et procédures judiciaires exécutés, donnés ou intentés, à la suite de ou en rapport, directement ou indirectement, avec les procédures concernées.

Graco Information

For the latest information about Graco products, visit www.graco.com. For patent information, see www.graco.com/patents.

To place an order, contact your Graco Distributor or call to identify the nearest distributor.

Phone: 612-623-6921 **or Toll Free:** 1-800-328-0211 **Fax:** 612-378-3505

All written and visual data contained in this document reflects the latest product information available at the time of publication.

Graco reserves the right to make changes at any time without notice.

Original Instructions. This manual contains English, MM 3A2497

Graco Headquarters: Minneapolis

International Offices: Belgium, China, Japan, Korea

GRACO INC. AND SUBSIDIARIES • P.O. BOX 1441 • MINNEAPOLIS, MN 55440-1441 • USA

Copyright 2012, Graco Inc. All Graco manufacturing locations are registered to ISO 9001.

www.graco.com

Revised July 2013