

Pro-Shot™ Grease Dispense Valve

309032L

EN

For high pressure grease dispense. For professional use only.

Model No. 242055, Series B, 1/4 npt Fluid Inlet

Model No. 242056, Series B, 1/4 npt Fluid Inlet with Coupler

Model No. 242057, Series B, 3/8 npt Fluid Inlet

Model No. 242058, Series B, 3/8 npt Fluid Inlet with Coupler

Model No. 24H399, Series A, 1/4-19 bspt Fluid Inlet

Model No. 24H400, Series A, 1/4-19 bspt Fluid Inlet with Coupler

Model No. 24H401, Series A, 3/8-19 bspt Fluid Inlet

Model No. 24H402, Series A, 3/8-19 bspt Fluid Inlet with Couple

Model No. 24H403, Series A, 1/4-19 bspp Fluid Inlet

Model No. 24H404, Series A, 1/4-19 bspp Fluid Inlet with Coupler

Model No. 24H405, Series A, 3/8-19 bspp Fluid Inlet

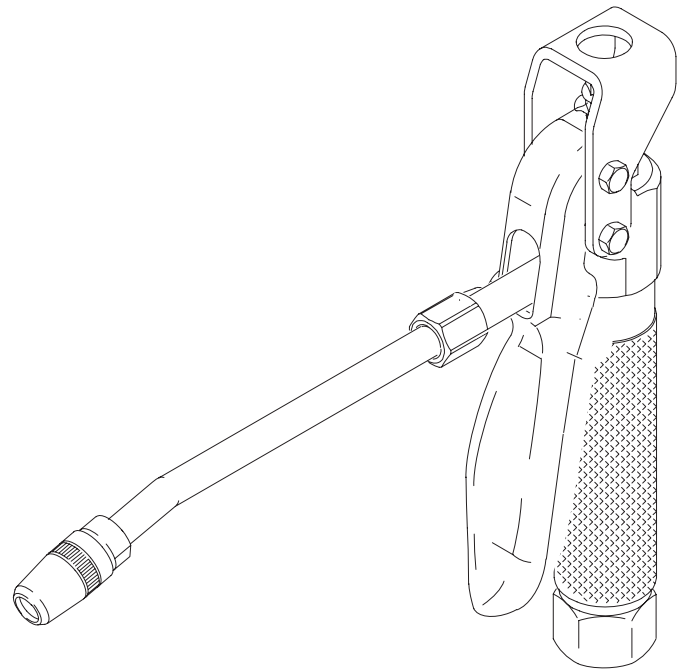
Model No. 24H406, Series A, 3/8-19 bspp Fluid Inlet with Coupler

8000 psi (55.2 MPa, 552 bar) Maximum Working Pressure









Important Safety Instructions

Read all warnings and instructions in this manual. Save these instructions.



Warnings

The following warnings are for the setup, use, grounding, maintenance, and repair of this equipment. The exclamation point symbol alerts you to a general warning and the hazard symbols refer to procedure-specific risks. When these symbols appear in the body of this manual or on warning labels, refer back to these Warnings. Product-specific hazard symbols and warnings not covered in this section may appear throughout the body of this manual where applicable.

 <h2 style="margin: 0;">WARNING</h2>	
 	<p>EQUIPMENT MISUSE HAZARD</p> <p>Misuse can cause death or serious injury.</p> <ul style="list-style-type: none"> • Do not operate the unit when fatigued or under the influence of drugs or alcohol. • Do not exceed the maximum working pressure or temperature rating of the lowest rated system component. See Technical Data in all equipment manuals. • Use fluids and solvents that are compatible with equipment wetted parts. See Technical Data in all equipment manuals. Read fluid and solvent manufacturer's warnings. For complete information about your material, request MSDS from distributor or retailer. • Turn off all equipment and follow the Pressure Relief Procedure when equipment is not in use. • Check equipment daily. Repair or replace worn or damaged parts immediately with genuine manufacturer's replacement parts only. • Do not alter or modify equipment. Alterations or modifications may void agency approvals and create safety hazards. • Make sure all equipment is rated and approved for the environment in which you are using it. • Use equipment only for its intended purpose. Call your distributor for information. • Route hoses and cables away from traffic areas, sharp edges, moving parts, and hot surfaces. • Do not kink or over bend hoses or use hoses to pull equipment. • Keep children and animals away from work area. • Comply with all applicable safety regulations.
 	<p>SKIN INJECTION HAZARD</p> <p>High-pressure fluid from dispensing device, hose leaks, or ruptured components will pierce skin. This may look like just a cut, but it is a serious injury that can result in amputation. Get immediate surgical treatment.</p> <ul style="list-style-type: none"> • Do not point dispensing device at anyone or at any part of the body. • Do not put your hand over the fluid outlet. • Do not stop or deflect leaks with your hand, body, glove, or rag. • Follow the Pressure Relief Procedure when you stop dispensing and before cleaning, checking, or servicing equipment. • Tighten all fluid connections before operating the equipment. • Check hoses and couplings daily. Replace worn or damaged parts immediately.
	<p>TOXIC FLUID OR FUMES HAZARD</p> <p>Toxic fluids or fumes can cause serious injury or death if splashed in the eyes or on skin, inhaled, or swallowed.</p> <ul style="list-style-type: none"> • Read MSDSs to know the specific hazards of the fluids you are using. • Store hazardous fluid in approved containers, and dispose of it according to applicable guidelines. • Always wear chemically impermeable gloves when spraying, dispensing, or cleaning equipment.

Operation

Pressure Relief Procedure



Follow the Pressure Relief Procedure whenever you see this symbol.



This equipment stays pressurized until pressure is manually relieved. To help prevent serious injury from pressurized fluid, such as skin injection, splashing fluid and moving parts, follow the Pressure Relief Procedure when you stop spraying and before cleaning, checking, or servicing the equipment.

1. Close the supply pump's bleed-type master air valve (required in pneumatic systems).
2. Open the dispensing valve until pressure is fully relieved.
3. Open the fluid drain valve at the pump fluid outlet. Leave the drain valve open until you are ready to use the system again.

NOTE: If you suspect the dispensing valve, extension, or grease fitting coupler is clogged, or the pressure has not been fully relieved after following the previous steps, using a rag VERY SLOWLY loosen the coupler or hose end coupling and allow pressure to be relieved gradually, then loosen the part completely then clear the clog.

Adjustment

The dispense valve provides positive control of high pressure lubricants. When supplied with air the pump will start when the valve is triggered and still stall against pressure when the trigger is released.



1. Relieve the pressure, see Pressure Relief Procedure.
2. To adjust the clearance, loosen the top nut (5, Fig 1) and turn the bottom nut (5) in or out as needed. To increase grease flow turn bottom nut in. To reduce grease flow turn bottom nut out. Hold the bottom nut in place and securely tight the top nut.

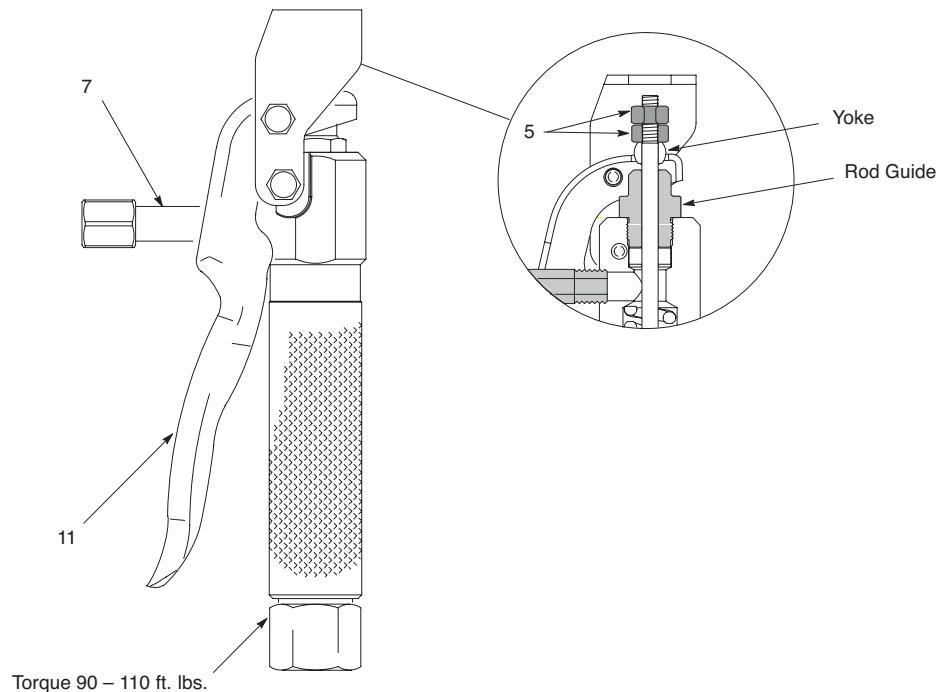


FIG. 1

Service

Refer to Parts Drawing, page 5, for following instructions.



Disassembly

1. Relieve the pressure. See Pressure Relief Procedure on page 3.
2. Check all parts thoroughly when disassembling and carefully replace any worn or damaged parts.
3. Remove bottom seat adapter (10) from grease gun body (9).
4. Remove acorn nuts (1) and bolts (17) from trigger guard (12). Remove trigger guard (12).
5. Remove outlet adapter (7).
6. Remove hex nuts (5).
7. Remove yoke (16).
8. Remove rod guide (18) from grease gun body (9).

9. Push plunger rod (15) through seal (4). Be careful; seat (14), ball (2), and copper gasket (6) will fall out bottom.
10. Replace all parts included in service kit 243446.
11. Reassemble valve.



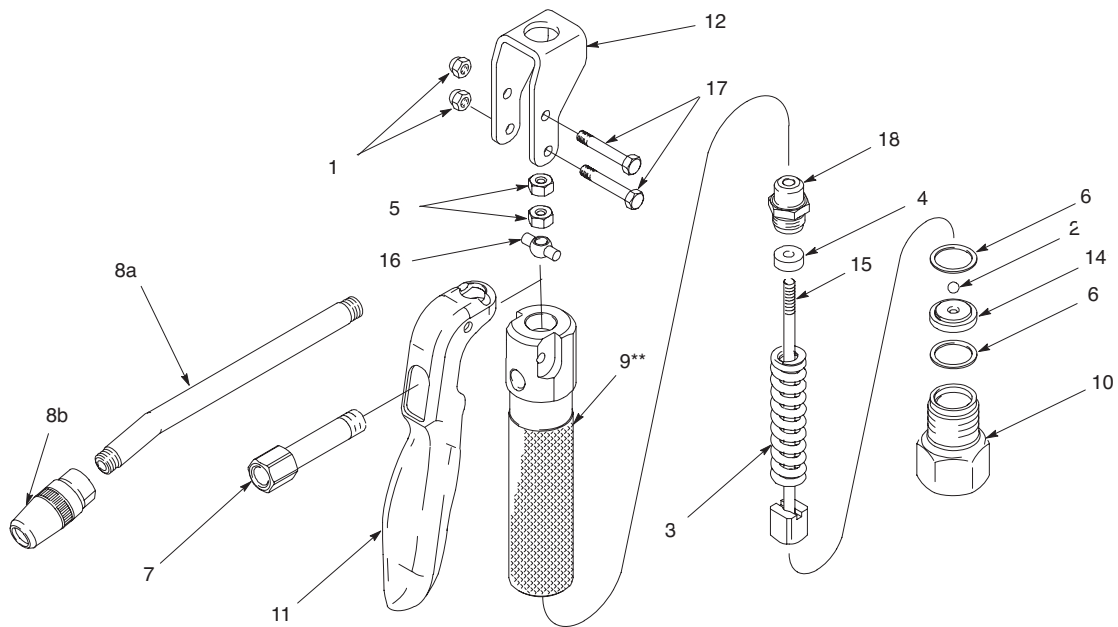
To reduce the risk of serious injury after servicing valve, always make sure the valve is in the closed position with trigger released.

12. With trigger in free position tighten bottom nut (5) until yoke bottoms out on rod guide (this is the maximum flow setting. (FIG. 1) Back off nut approximately 1/8 turn. Hold bottom nut in place and securely tighten top nut.
13. If additional adjustment is desired, follow adjustment procedure on page 3.
14. For specific operational problems, see Trouble Shooting.

Troubleshooting

Problem	Cause	Solution
Grease Flows with trigger release	Damaged Ball	Install Service Kit
	Damaged Seat	Install Service Kit
	Out of Adjustment	Readjust, see Adjustment, page 3
	Missing Ball	Install Service Kit
No grease flow when trigger pulled	Out of Adjustment	Readjust, see Adjustment, page 3
	Plugged Seat	Clean seat
	Disassembled Plunger and Rod	Reassemble
Grease is leaking out of bottom of gun	Loose Bottom Adapter	Tighten adapter (FIG. 1)
	Missing Copper Gasket	Install Service Kit
	Worn Copper Gasket	Install Service Kit
Grease is leaking out of the top of gun	Worn Seal in top of gun	Install Service Kit
Short seal life	Worn plunger rod	Install Service Kit
Trigger will not move	Bent guard	Replace guard
	Bent pivot pin	Install Service Kit
	Damaged handle	Replace trigger

Parts



Ref.	Part	Description	Qty.	Ref.	Part	Description	Qty.
1	†	NUT, self-locking, 10-32	2	16G884	ADAPTER, 1/4"-19 bspt, seat, model 24H399 and 24H400	1	
2	†	BALL, carbide	1	16G885	ADAPTER, 1/4"-19 bspp, seat, model 24H403 and 24H404	1	
3	†	SPRING, compression	1	16G886	ADAPTER, 3/8"-19 bspt, seat, model 24H401 and 24H402	1	
4	†	SEAL	1	16G887	ADAPTER, 3/8"-19 bspp, seat, model 24H405 and 24H406	1	
5	†	NUT, hex, 10-32	2	11	196999	TRIGGER	1
6	†	GASKET, copper	2	12	195612	GUARD, trigger	1
7	196783	ADAPTER, outlet, 1/8 npt	1	14	†	SEAT, valve	1
8	200389	NOZZLE	1	15	†	PLUNGER/ROD ASSEMBLY	1
		Includes items 8a and 8b, model 242056 and 242058 only		16	†	YOKE	1
8a		TUBE, adapter (not sold separately)	1	17	†	SHAFT, pivot	2
8b	200325	COUPLER, model 242056 and 242058 only	1	18	†	GUIDE, rod	1
9**		BODY, grease gun	1				
10	195610	ADAPTER, 1/4" npt, seat, model 242055 and 242056	1				
	195620	ADAPTER, 3/8" npt, seat, model 242057 and 242058	1				

**** Not available**

† Parts included in Kit 243446 (purchase separately).

Technical Data

Pro-Shot™ Grease Dispense Valve		
	US	Metric
Maximum fluid working pressure	8000 psi	55.2 MPa, 552 bar
Inlet Size	1/4" or 3/8"	
Wetted Parts	Chrome Vanadium, Polyurethane, Brass, Carbon Steel, Alloy Steel	

Graco Standard Warranty

Graco warrants all equipment referenced in this document which is manufactured by Graco and bearing its name to be free from defects in material and workmanship on the date of sale to the original purchaser for use. With the exception of any special, extended, or limited warranty published by Graco, Graco will, for a period of twelve months from the date of sale, repair or replace any part of the equipment determined by Graco to be defective. This warranty applies only when the equipment is installed, operated and maintained in accordance with Graco's written recommendations.

This warranty does not cover, and Graco shall not be liable for general wear and tear, or any malfunction, damage or wear caused by faulty installation, misapplication, abrasion, corrosion, inadequate or improper maintenance, negligence, accident, tampering, or substitution of non-Graco component parts. Nor shall Graco be liable for malfunction, damage or wear caused by the incompatibility of Graco equipment with structures, accessories, equipment or materials not supplied by Graco, or the improper design, manufacture, installation, operation or maintenance of structures, accessories, equipment or materials not supplied by Graco.

This warranty is conditioned upon the prepaid return of the equipment claimed to be defective to an authorized Graco distributor for verification of the claimed defect. If the claimed defect is verified, Graco will repair or replace free of charge any defective parts. The equipment will be returned to the original purchaser transportation prepaid. If inspection of the equipment does not disclose any defect in material or workmanship, repairs will be made at a reasonable charge, which charges may include the costs of parts, labor, and transportation.

THIS WARRANTY IS EXCLUSIVE, AND IS IN LIEU OF ANY OTHER WARRANTIES, EXPRESS OR IMPLIED, INCLUDING BUT NOT LIMITED TO WARRANTY OF MERCHANTABILITY OR WARRANTY OF FITNESS FOR A PARTICULAR PURPOSE.

Graco's sole obligation and buyer's sole remedy for any breach of warranty shall be as set forth above. The buyer agrees that no other remedy (including, but not limited to, incidental or consequential damages for lost profits, lost sales, injury to person or property, or any other incidental or consequential loss) shall be available. Any action for breach of warranty must be brought within two (2) years of the date of sale.

GRACO MAKES NO WARRANTY, AND DISCLAIMS ALL IMPLIED WARRANTIES OF MERCHANTABILITY AND FITNESS FOR A PARTICULAR PURPOSE, IN CONNECTION WITH ACCESSORIES, EQUIPMENT, MATERIALS OR COMPONENTS SOLD BUT NOT MANUFACTURED BY GRACO. These items sold, but not manufactured by Graco (such as electric motors, switches, hose, etc.), are subject to the warranty, if any, of their manufacturer. Graco will provide purchaser with reasonable assistance in making any claim for breach of these warranties.

In no event will Graco be liable for indirect, incidental, special or consequential damages resulting from Graco supplying equipment hereunder, or the furnishing, performance, or use of any products or other goods sold hereto, whether due to a breach of contract, breach of warranty, the negligence of Graco, or otherwise.

FOR GRACO CANADA CUSTOMERS

The Parties acknowledge that they have required that the present document, as well as all documents, notices and legal proceedings entered into, given or instituted pursuant hereto or relating directly or indirectly hereto, be drawn up in English. Les parties reconnaissent avoir convenu que la rédaction du présente document sera en Anglais, ainsi que tous documents, avis et procédures judiciaires exécutés, donnés ou intentés, à la suite de ou en rapport, directement ou indirectement, avec les procédures concernées.

Graco Information

For the latest information about Graco products, visit www.graco.com.

TO PLACE AN ORDER, contact your Graco distributor or call to identify the nearest distributor.

Phone: 612-623-6928 or **Toll Free:** 1-800-533-9655, **Fax:** 612-378-3590

*All written and visual data contained in this document reflects the latest product information available at the time of publication.
Graco reserves the right to make changes at any time without notice.*

For patent information, see www.graco.com/patents.

Original instructions. This manual contains English. MM 309032

Graco Headquarters: Minneapolis
International Offices: Belgium, China, Japan, Korea

GRACO INC. AND SUBSIDIARIES • P.O. BOX 1441 • MINNEAPOLIS MN 55440-1441 • USA

Copyright 1999, Graco Inc. All Graco manufacturing locations are registered to ISO 9001.

www.graco.com

Revised December 2012